

## GENERAL INFORMATION

**Project Name:** \_\_\_\_\_  
**Item:** \_\_\_\_\_  
**Quantity:** \_\_\_\_\_  
**Model:** \_\_\_\_\_ FWT \_\_\_\_\_  
**Length:** \_\_\_\_\_

## GENERAL SPECIFICATION

### Materials

- 14-Gauge Brushed Finish Type 304 Stainless
- 6" Diameter Box Pattern Stainless Drain
- Removable Perforated Stainless Basket
- Stainless Steel Grating

### Construction

- NSF Standard 2 Construction
- Covered Corner Pan
- True Positive Pitch Toward Drain
- 3-15/16" I.D. 6" Long Stainless Tailpiece

## TROUGH MATERIAL OPTIONS

- 12-Gauge Brushed Finish Stainless
- Type 316 Stainless

## TROUGH FINISH OPTIONS

- Sand Blast
- Mirror Polished

## GRATE TYPE OPTIONS

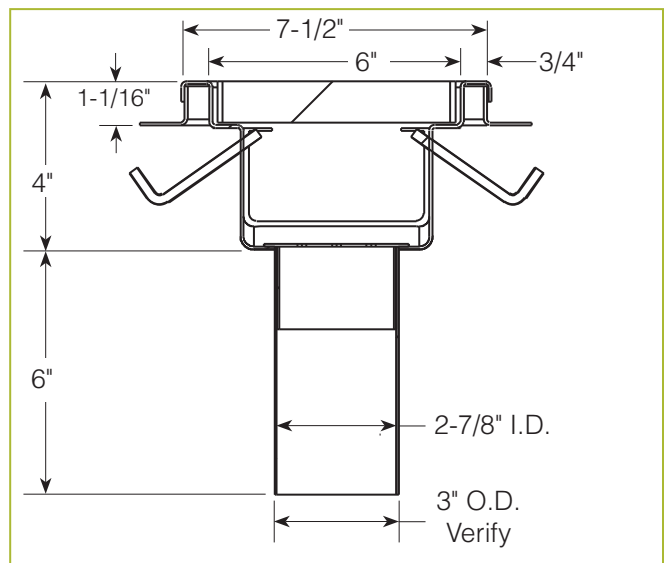
- 1/8" x 1" Stainless Subway Grate
- 3/16" x 1" Stainless Subway Grate
- 1/4" x 1" Stainless Subway Grate
- Anti-Slip Fiberglass Grating
- Custom Bar Centerlines: Dimensions \_\_\_\_\_
- Type 316 Stainless

## MODELS AND DIMENSIONS

Sizes WxL	24"	36"	48"	60"	72"	84"	96"	108"	120"
7-1/2"	FWT-724	FWT-736	FWT-748	FWT-760	FWT-772	FWT-784	FWT-796	FWT-7108	FWT-7120

## FWT

### Extended Walk-In/Ice-Machine Drain



## OTHER OPTIONS

- Off-Center Drain
- Extended Drain Pan Without Grate (see model FTDP)
- 1/4" Stainless Rod J-Anchors Around Trough Exterior

## \* Approval Drawings Required

Printed in the U.S.A. (April 2017) BSI, LLC  
 Specifications subject to change without notice.

Rv. 7

