

GENERAL INFORMATION

Project Name: _____
 Item: _____
 Quantity: _____
 Model: _____ HSD-ST
 Length: _____

DESCRIPTION

Meet the latest health department requirements with minimal impact on space requirements. The BSI HSD-ST allows hand sinks to be spaced closely throughout prep areas and servery counters without consuming valuable counter-top space. The HSD-ST module is designed to be easily integrated into new fabrication or retro-fitted into existing equipment.

GENERAL SPECIFICATION

Materials

- 16-Gauge Brushed Finish Type 304 Stainless Hand Sink
- 18-Gauge Brushed Finish Type 304 Stainless Enclosures
- 14-Gauge Stainless Heavy-Duty Roller Bearing Drawer Slides
- Flexible Hoses Plumbed to Hard Points for Final Plumbing Connection
- Soap Dispenser

Construction

- NSF Standard 2 Construction
- Fully Welded Sink and Seamless Top
- Tilt-Out Towel Compartment
- 3/4" Mounting Flange with Stud Holes every 4"

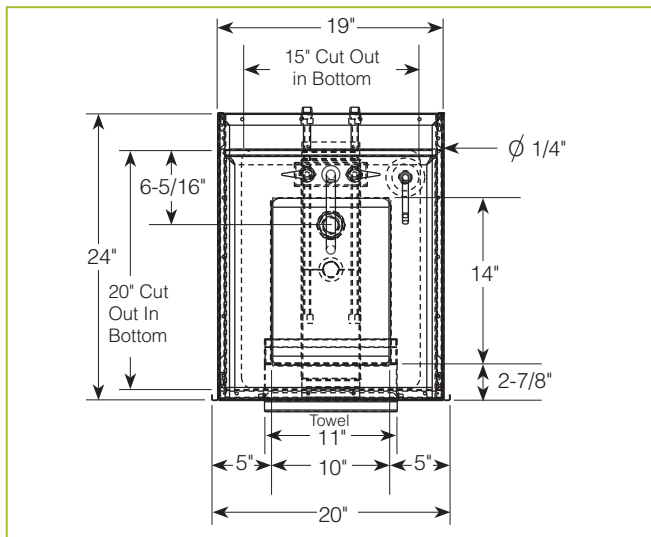
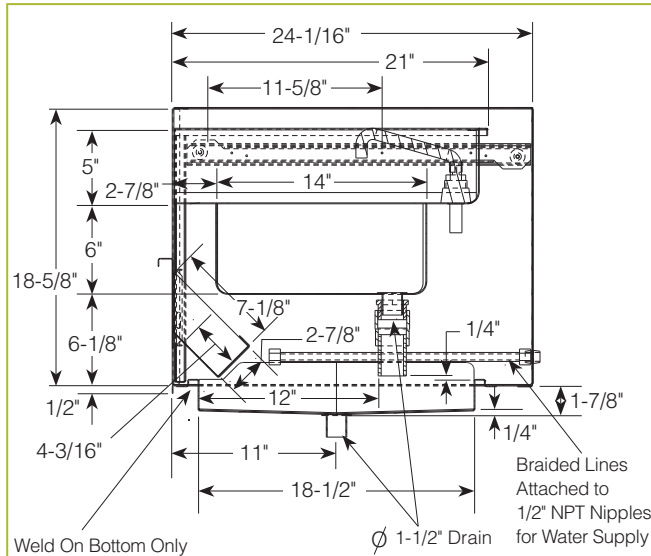
SINK FAUCET OPTIONS

- Infrared Faucet
- Single Deck Dual Control Faucet with 6" Swing Spout
- Customer Supplied Faucet
 Make _____ Model _____

This unit can be plumbed in the field to a floor drain if available or to a 1-1/2" drain pipe. 1/2" MPT for cold water connection only with less than 45 psi.

HSD-ST

Hand Sink Drawer with Soap and Towel Dispenser



* Approval Drawings Required

Printed in the U.S.A. (April 2017) BSI, LLC
 Specifications subject to change without notice.