

## GENERAL INFORMATION

**Project Name:** \_\_\_\_\_  
**Item:** \_\_\_\_\_  
**Quantity:** \_\_\_\_\_  
**Model:** 2580  
**Length:** \_\_\_\_\_

## DESCRIPTION

The Slimline™ light is manufactured by BSI, LLC. The light shall consist of an aluminum housing and an inner aluminum holder/reflector.

The fluorescent light shall include a remote on/off switch and a remote ballast in an enclosure. The light shall be factory-assembled ready for electrical installation.

The LED light contains internal drivers and is direct wired to 110V single phase. The light shall be factory assembled ready for electrical installation.

## GENERAL SPECIFICATION

### Ballast Information - Fluorescent

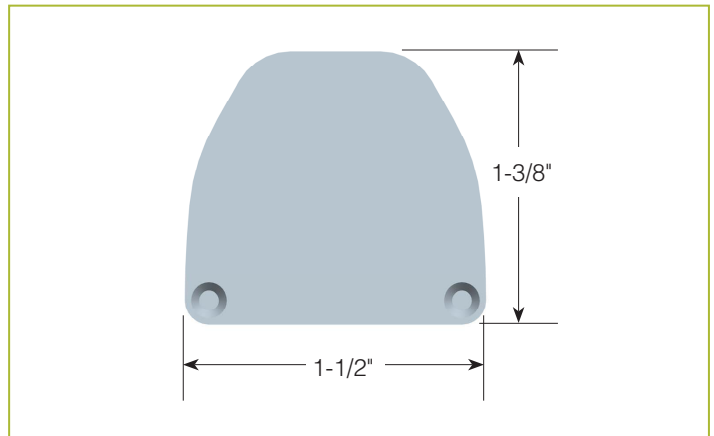
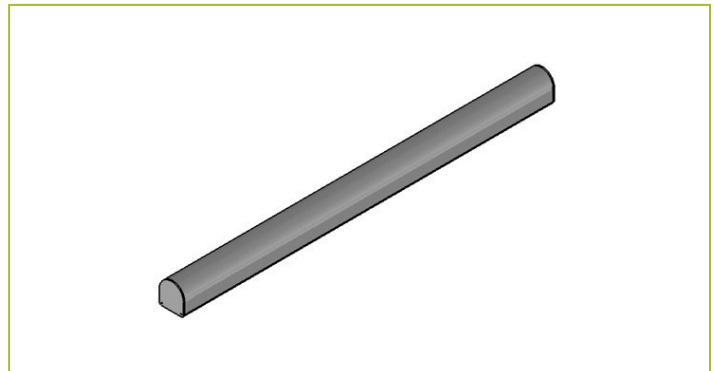
Operating Voltage:	120 VAC
Frequency:	50/60Hz
ATHD:	Meets ANSI C82.11-1993
Protection/Output:	Open Lamp Shortened Lamp
Protection/Overcurrent:	Fuse
Protection/Voltage Transients:	MOV (PER ANSI C82.11-1993)
Open Circuit Voltage:	600 V RMS Max
Lamp Starting Mode:	Instant Start

## SLIMLINE LIGHT BULB OPTIONS

- Fluorescent Bulb       LED Module

# 2580

## Fluorescent/LED Slimline™ Light



### Information for 4100K Fluorescent Lamps

Average Rated Life (hr):	20,000
Base:	Miniature Bi-Pin
Bulb:	T5
Color Rendering Index (CRI)	82
Diameter (in):	0.67
Lamp Starting Mode:	Program Start
Bulb Type:	Shatter Resistant

### Information for LED Bulb

Temperature	3000K
Average Rated Life (hr):	50,000
Color Rendering Index (CRI)	90
Diodes	50 per foot
Electrical	110-250V
Frequency	50/60Hz
Amp Per Foot @ 110V	0.04
Watts Per Foot	5

## \* Approval Drawings Required

Specifications subject to change without notice.

07.21



## OPTIONS AND ACCESSORIES

Light/Heat housing is an aluminum extrusion finished to match guard. NSF-approved powder-coat colors are available as well as satin or polished finishes. Please contact factory for further information.

The light shall be 120-Volt single phase.

If Housing or Bulb Length is to be different than Food Shield Length, please indicate requested lengths.

Light Housing shall be \_\_\_\_\_ inches in overall length.  
Bulb shall be \_\_\_\_\_ inches in overall length.

\* BSI Designer can calculate final length options.

## STANDARD NSF LISTED FINISH OPTIONS

- |   |  |
|---|--|
| <input type="checkbox"/> Brushed Aluminum | <input type="checkbox"/> Polished Brass Finish |
| <input type="checkbox"/> Gloss Black      | <input type="checkbox"/> Wrinkle Black         |
| <input type="checkbox"/> Smoked Copper    |  |

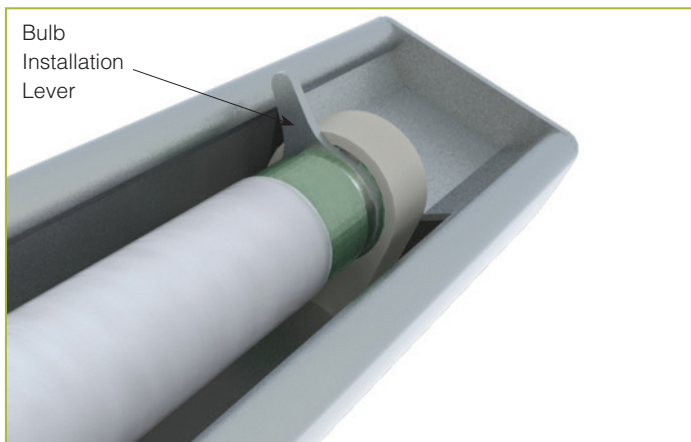
### Switch Options

- Remote Infinite (standard)
- Internal Control

### Wiring Exit Point Options

- Top
- Left Side
- Right Side

## Fluorescent Bulb



# 2580

## Fluorescent/LED Slimline™ Light

## Fluorescent Bulb

HOUSING LENGTH	BULB LENGTH	FREQUENCY	AMPS @110V	WATTAGE
28" to 39"	24**	50/60Hz	.26A	31W
40" to 51"	36**	50/60Hz	.26A	31W
52" to 63"	48**	50/60Hz	.26A	31W
64" to 75"	60**	50/60Hz	.36A	43W
76" to 99"	Two 3-foot bulbs wired in tandem	50/60Hz	.36A	43W Total
100" to 119"	Two 4-foot bulbs wired in tandem	50/60Hz	.65A	78W Total
120" to 144"	Two 5-foot bulbs wired in tandem	50/60Hz	.65A	78W Total

\* Rounded up to the nearest foot.

## LED Bulb

HOUSING LENGTH	BULB LENGTH	FREQUENCY	AMPS @110V	WATTAGE
15" to 21"	12"	50/60Hz	.042A	5W
22" to 27"	18"	50/60Hz	.058A	7W
28" to 33"	12" & 12"	50/60Hz	.083A	10W
34" to 39"	12" & 18"	50/60Hz	.1A	12W
40" to 45"	36"	50/60Hz	.125A	15W
46" to 51"	12" & 12" & 18"	50/60Hz	.142A	17W
52" to 57"	48"	50/60Hz	.167A	20W

Larger Sizes: BSI will configure bulb combinations to best fit housing.

LED Lights produce 400 Lumens per foot.

## LED Module



UL NO. E305112

