

GENERAL INFORMATION

Project Name: _____

DESCRIPTION

Stealth® warmers are created with a high-efficiency design, meaning less heat escapes out the top and more heat is directed down on the work surface. The internally integrated aluminum heat sink results in a 15-20% cooler outer housing surface (touch temperature) than the competition, as well as 20% higher direct heat output than the industry standard.

The clean, slim profile and simple mounting hardware allow your food to be the focus and subtly integrate into your overall design.

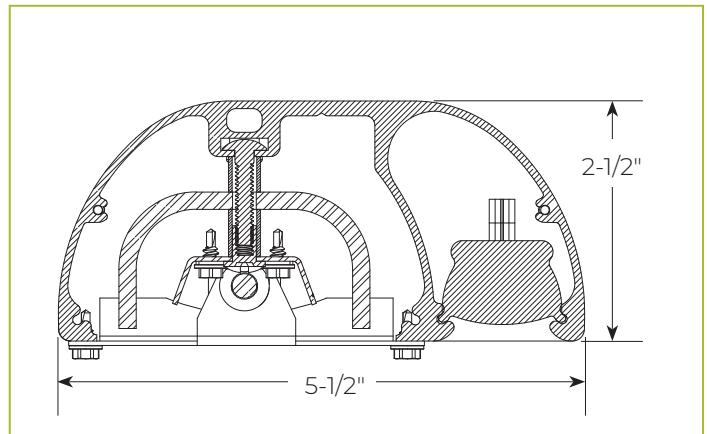
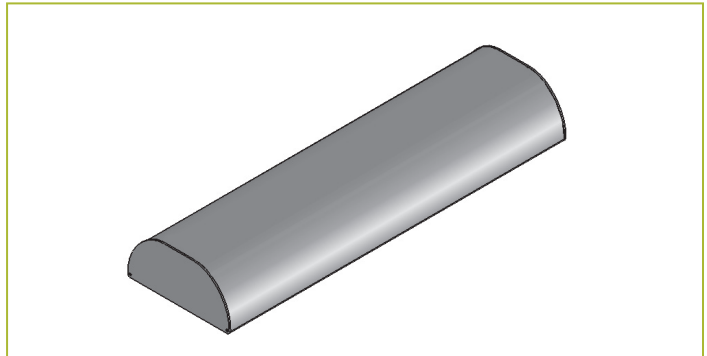
Engineered for ease of use, Stealth's smooth outer housing is both attractive and easy to clean. Simply wipe down the surface to maintain the reflector efficiency — no dirty wire grill to clean around or collect debris.

Custom lengths available from 22" to 82" in single heater units and unlimited lengths in multiple heater combinations.

UL tested and certified to UL Standard. 197.

705

Stealth® Light & Warmer Combo



Information for 4100K Fluorescent Lamps

Average Rated Life (hr):	20,000
Base:	Miniature Bi-Pin
Bulb:	T5
Color Rendering Index (CRI)	82
Diameter (in):	0.67
Bulb Type:	Shatter Resistant

Information for LED Bulb

Temperature	3000K
Average Rated Life (hr):	50,000
Color Rendering Index (CRI)	90
Diodes	50 per foot
Electrical	110-250V
Frequency	50/60Hz
Amp Per Foot @ 110V	0.04
Watts Per Foot	5

* Approval Drawings Required

Specifications subject to change without notice.



06.22

SWITCH OPTIONS

- Remote Infinite (standard) Remote Switch
- Indicator Light Internal Control

WIRING EXIT POINT OPTIONS

- Top Left Side
- Right Side

STANDARD NSF LISTED FINISH OPTIONS

- Grey (standard) Gloss Black
- Brushed Aluminum Gloss Black
- Smoked Copper Polished Brass Finish
- Wrinkle Black

Other NSF-approved colors are available. Contact BSI for details.

Light/Warmer housing is an aluminum extrusion. The housing for warmers is only available in grey or gloss black. Please contact factory for further information.

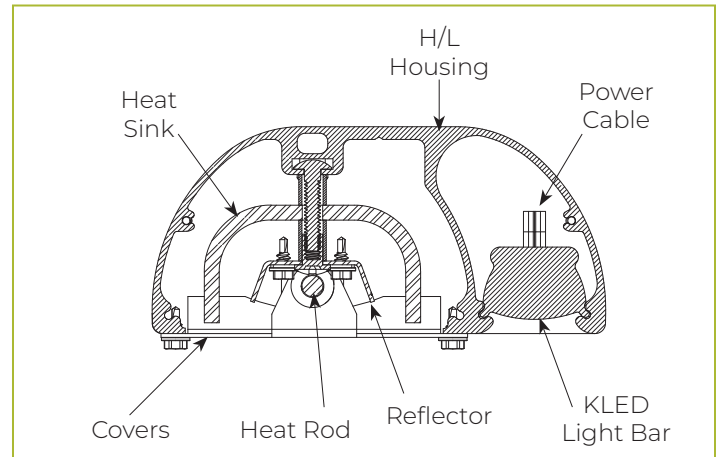
MODEL NUMBER	OA HOUSING	VOLTS (Light)*	FREQ.	AMPS	WATTS
705-120-18	22"-27"	120 (120)	50/60Hz	2.96	357
705-120-24	28"-33"	120 (120)	50/60Hz	4.28	510
705-120-30	34"-39"	120 (120)	50/60Hz	5.60	672
705-120-36	40"-45"	120 (120)	50/60Hz	6.83	815
705-120-42	46"-51"	120 (120)	50/60Hz	8.04	967
705-120-48	52"-57"	120 (120)	50/60Hz	9.37	1120
705-120-54	58"-63"	120 (120)	50/60Hz	10.58	1272
705-120-60	64"-69"	120 (120)	50/60Hz	11.91	1425
705-120-66	70"-75"	120 (120)	50/60Hz	13.2	1587
705-120-72	76"-81"	NOT AVAILABLE IN 120 VOLTS			

TABLES SHOWN WITH STANDARD LED LIGHT POWER REQUIREMENTS. CONTACT BSI FOR FLUORESCENT POWER REQUIREMENTS.

Wiring diagrams for Stealth® light & warmer combos can be found at the end of the Lights and Warmers section.

705

Stealth® Light & Warmer Combo



MODEL NUMBER	OA HOUSING	VOLTS (Light)*	FREQ.	AMPS	WATTS
705-208-18	22"-27"	NOT AVAILABLE IN 208 VOLTS			
705-208-24	28"-33"	208 (120)	50/60Hz	2.45	510
705-208-30	34"-39"	208 (120)	50/60Hz	3.26	672
705-208-36	40"-45"	208 (120)	50/60Hz	3.97	815
705-208-42	46"-51"	208 (120)	50/60Hz	4.68	967
705-208-48	52"-57"	208 (120)	50/60Hz	5.40	1120
705-208-54	58"-63"	208 (120)	50/60Hz	6.11	1272
705-208-60	64"-69"	208 (120)	50/60Hz	6.82	1425
705-208-66	70"-75"	208 (120)	50/60Hz	7.63	1587
705-208-72	76"-81"	208 (120)	50/60Hz	8.44	1755

MODEL NUMBER	OA HOUSING	VOLTS (Light)*	FREQ.	AMPS	WATTS
705-240-18	22"-27"	NOT AVAILABLE IN 240 VOLTS			
705-240-24	28"-33"	240 (120)	50/60Hz	2.14	510
705-240-30	34"-39"	240 (120)	50/60Hz	2.85	672
705-240-36	40"-45"	240 (120)	50/60Hz	3.36	815
705-240-42	46"-51"	240 (120)	50/60Hz	3.97	967
705-240-48	52"-57"	240 (120)	50/60Hz	4.68	1120
705-240-54	58"-63"	240 (120)	50/60Hz	5.29	1272
705-240-60	64"-69"	240 (120)	50/60Hz	5.90	1425
705-240-66	70"-75"	240 (120)	50/60Hz	6.61	1587
705-240-72	76"-81"	240 (120)	50/60Hz	7.33	1755

* Volts shown as element voltage (light voltage)