

GENERAL INFORMATION

Project Name: _____
Item: _____
Quantity: _____
Model: BSI-PF
Length: _____

GENERAL SPECIFICATION

Materials

- 1/4" Plexiglass

Construction

- Stainless steel 1" diameter posts with channel
- Available in lengths of 24", 36" or 48"
- Standard height is 36"
- Standard base is 8"
- Optional pass through under cutout may be customized
- PFPT includes pass through

Shipping

- Two (2) week lead time
- Shipped Flat
- FOB Denver, Shipped by Others
- Bulk orders will be discounted for orders over 100 units
- All bulk units to be shipped to one location for full discount

MODELS

- | | |
|------------------------------------|--------------------------------------|
| <input type="checkbox"/> BSI-PF-24 | <input type="checkbox"/> BSI-PFPT-24 |
| <input type="checkbox"/> BSI-PF-36 | <input type="checkbox"/> BSI-PFPT-36 |
| <input type="checkbox"/> BSI-PF-48 | <input type="checkbox"/> BSI-PFPT-48 |

SHIELD OPTIONS

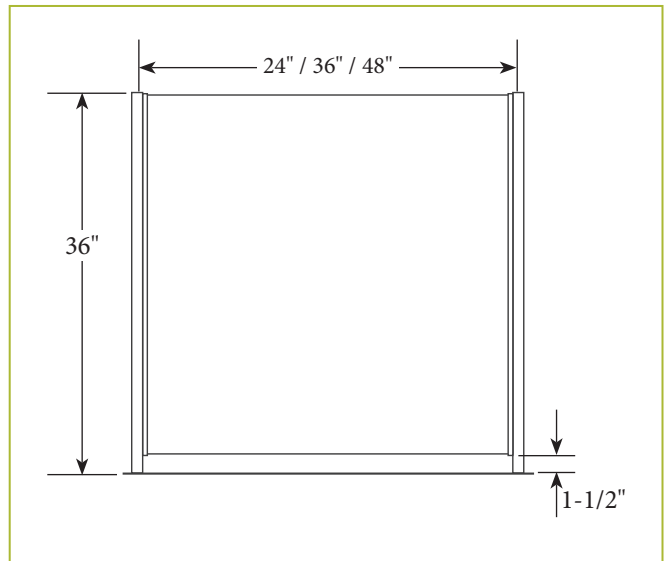
- | |
|---|
| <input type="checkbox"/> 1/4" Plexiglass (Standard) |
| <input type="checkbox"/> 1/4" Glass |

BSI-PF

Portable Fixed Plexiglass Food Shield



Shown without pass through option.



*** Approval Drawings Required**