

GENERAL INFORMATION

Project Name: _____
Item: _____
Quantity: _____
Model: BSI-PW
Length: _____

GENERAL SPECIFICATION

Materials

- 1/4" Plexiglass

Construction

- Interlocking Plexiglass Divider
- Available in lengths of 24", 36" or 48"
- Standard height is 36"
- Standard base is 10"
- Optional pass through under cutout may be customized
- PWPT includes pass through

Shipping

- Two (2) week lead time
- Shipped Flat
- FOB Denver, Shipped by Others
- Bulk orders will be discounted for orders over 100 units
- All bulk units to be shipped to one location for full discount

MODELS

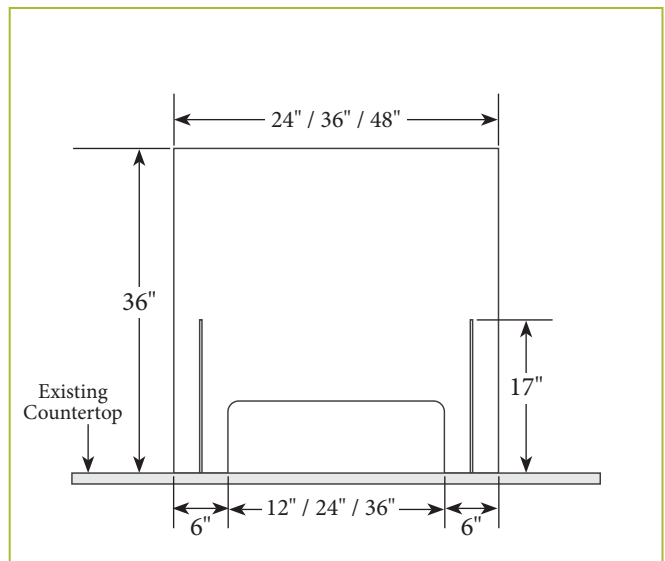
- | | |
|------------------------------------|--------------------------------------|
| <input type="checkbox"/> BSI-PW-24 | <input type="checkbox"/> BSI-PWPT-24 |
| <input type="checkbox"/> BSI-PW-36 | <input type="checkbox"/> BSI-PWPT-36 |
| <input type="checkbox"/> BSI-PW-48 | <input type="checkbox"/> BSI-PWPT-48 |

BSI-PW

Portable Plexiglass Food Shield



Shown with pass through option.



* Approval Drawings Required