

GENERAL INFORMATION

Project Name: _____
Item: _____
Quantity: _____
Model: BSI-RFP
Length: _____

GENERAL SPECIFICATION

Materials

- 1/4" Plexiglass
- 1" Stainless Steel Tubing

Construction

- Standard partition panel is 48"x72"
- Locking Brake Casters

Shipping

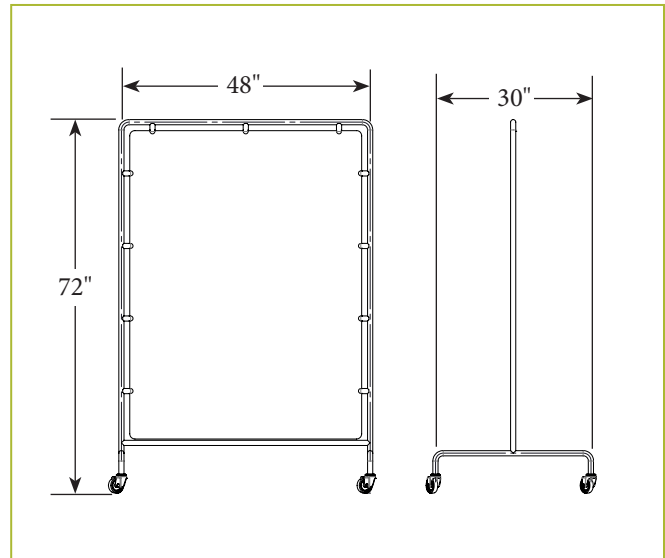
- Two (2) week lead time
- Shipped Fully Assembled
- FOB Denver, Shipped by Others
- Bulk orders will be discounted for orders over 100 units
- All bulk units to be shipped to one location for full discount

MODELS

- BSI-RFP-48
- BSI-RFP-80

BSI-RFP

Rolling Floor Partition



Outside Dimensions:
 RFP-48 (one panel) is 49"x72"
 RFP-80 (two panels) is 81"x72"

*** Approval Drawings Required**