

## GENERAL INFORMATION

**Project Name:** \_\_\_\_\_  
**Item:** \_\_\_\_\_  
**Quantity:** \_\_\_\_\_  
**Model:** XG3915  
**Length:** \_\_\_\_\_

## STANDARD NSF LISTED FINISH OPTIONS

- |   |  |
|---|--|
| <input type="checkbox"/> Stainless Steel #4 | <input type="checkbox"/> Chrome                |
| <input type="checkbox"/> Gloss Black        | <input type="checkbox"/> Wrinkle Black         |
| <input type="checkbox"/> Smoked Copper      | <input type="checkbox"/> Polished Brass Finish |
| <input type="checkbox"/> Other _____        |  |

## LIGHT OPTIONS

- LED Light Unit
- Linear T-5 Fluorescent Unit

**For warmers contact BSI factory.**

## GLASS THICKNESS

- 1/4" Tempered Glass (not for shelves)  
Centerline Max 54"
- 3/8" Tempered Glass (for shelf or span more than 54")  
Centerline Max 66"
- 1/2" Tempered Glass (for shelf or span more than 66")  
Centerline Max 72"

## GLASS CORNERS

- 1" Radius Corner (standard)
- Square Corners

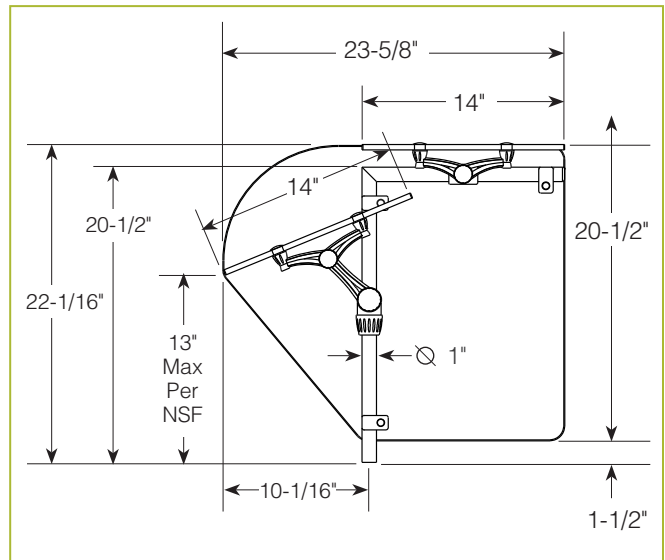
## INSTALLATION OPTIONS

**Under-Counter:** Stainless Steel Counter  
(Requires Under-Counter Reinforcement & Access)

**Under-Counter:** Millwork Counter

**See Installation Page for More Details.**

## XG3915 Combo-Serve



To meet NSF guidelines, end panels are included on all BSI quotations unless specifically excluded. (See End Panel Page for More Details.)

- SSU3-H: Heavy-Duty Flange
- SSU3-N: Narrow Flange
- SSU5-H: Heavy-Duty Flange
- SSU5-N: Narrow Flange
- MWU3: Narrow Flange
- MWU4: Compression Installation (not recommended for solid surfaces)
- MWU5: Heavy-Duty Flange

## \* Approval Drawings Required

XGuards can be provided with a UL Listed light or warmer.