

## GENERAL INFORMATION

Project Name: \_\_\_\_\_

Item: \_\_\_\_\_

Quantity: \_\_\_\_\_

Model: XG3935 \_\_\_\_\_

Length: \_\_\_\_\_

## STANDARD SPECIFICATIONS

- 1" Diameter Stainless Steel Posts
- 3/8" Clear Tempered Front Glass Panels (max. span 66")
- 3/8" Clear Tempered Glass Top Shelf (max. span 66")
- Max Center Line Post-to-Post Span = 78"
- 1/4" Clear Tempered Glass End Panels
- 1" Radius Glass Corners

## OPTIONS AND ACCESSORIES

### NSF-LISTED FINISH OPTIONS

- Brushed Aluminum (Standard)
- Stainless Steel #8 (Chrome)
- Gloss Black
- Matte Black
- Prismatic Brass
- Wrinkle Black
- Statuary Bronze
- Smoked Copper
- Other \_\_\_\_\_

### GLASS FINISHES

- Clear (Standard)
- Low-Iron
- Frosted
- Frosted Logo/Imprint
- Pattern

### GLASS CORNERS

- 1" Radius Corners (Standard)
- Square Corners

### GLASS PANEL OPTIONS

- 1/4" Glass (max. span 54")
- 3/8" Glass (max. span 66") (Standard)
- 1/2" Glass (max. span 72")

### MOUNTING STYLES (SELECT ONE)

See installation page for more details.

**Above Counter:** Stainless Steel Counter

**Under Counter:** Stainless Steel Counter

(Requires Under-Counter Reinforcement & Access)

**Above Counter:** Millwork Counter

**Under Counter:** Millwork Counter

Approval Drawings Required  
Specifications subject to change without notice.

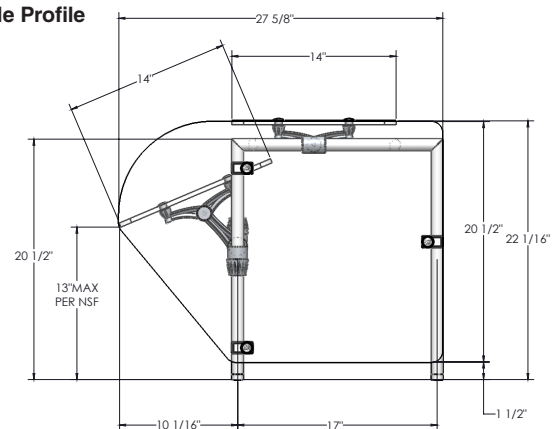
## XG3935 ClearSpan

Single-Sided w/Top Shelf

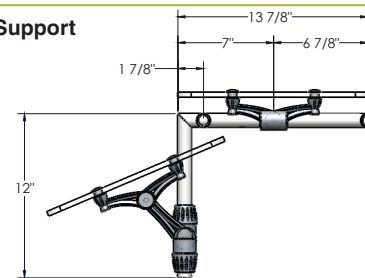


To meet NSF guidelines, end panels are included on all BSI quotations unless specifically excluded. (See end panel page for more details.)

### Side Profile



### Center Support



### LIGHT AND WARMER OPTIONS

| Model #                       | Description                       |
|-------------------------------|-----------------------------------|
| <input type="checkbox"/> 2580 | BSI Slimline LED Light            |
| <input type="checkbox"/> 790  | BSI Stealth Heat-Only Warmer      |
| <input type="checkbox"/> 705  | BSI Stealth Heat-Light Combo      |
| <input type="checkbox"/> 500  | BSI Stealth Heat-Light-Heat Combo |

All BSI light and warmer units are UL Listed. See light and warmer spec sheets for detailed information. Acces is also available with other manufacturers' heat and light units. Contact BSI for details.

- SS1: EZ Mount 2" x 8" Flange
- SSU3-H: Heavy-Duty Flange
- SSU5-H: Heavy-Duty Flange
- MW1: Heavy-Duty Flange
- MWU3: Narrow Flange
- MWU4: Compression Installation (not recommended for solid surfaces)
- SSU3-N: Narrow Flange
- SSU5-N: Narrow Flange
- MW2: Narrow Flange
- MWU5: Heavy-Duty Flange