

GENERAL INFORMATION

Project Name: _____
 Item: _____
 Quantity: _____
 Model: ZG7600 _____
 Length: _____

STANDARD NSF LISTED FINISH OPTIONS

- | | |
|---|--|
| <input type="checkbox"/> Brushed Aluminum | <input type="checkbox"/> Chrome |
| <input type="checkbox"/> Gloss Black | <input type="checkbox"/> Wrinkle Black |
| <input type="checkbox"/> Smoked Copper | <input type="checkbox"/> Polished Brass Finish |
| <input type="checkbox"/> Other _____ | |

CURVED GLASS

- 1/4" Tempered Glass (Not for shelves)
- Maximum length equals 48"

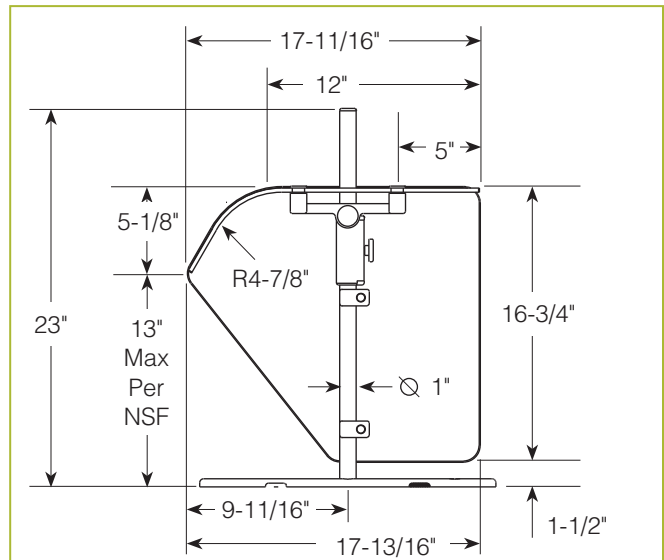
For overall dimension greater than 48" please call the BSI Factory.

GLASS OPTIONS

- 1" Radius Corner (standard)
- Square Corners

ZG7600

Curved Glass Portable Market



To meet NSF guidelines, end panels are included on all BSI quotations unless specifically excluded. (See End Panel Page for More Details.)

* Approval Drawings Required