

GENERAL INFORMATION

Project Name: _____
Item: _____
Quantity: _____
Model: ZG7950
Length: _____

STANDARD NSF LISTED FINISH OPTIONS

- | | |
|---|--|
| <input type="checkbox"/> Stainless Steel #4 | <input type="checkbox"/> Chrome |
| <input type="checkbox"/> Gloss Black | <input type="checkbox"/> Wrinkle Black |
| <input type="checkbox"/> Smoked Copper | <input type="checkbox"/> Polished Brass Finish |
| <input type="checkbox"/> Other _____ | |

LIGHT OPTIONS

- LED Light Unit
- Linear T-5 Fluorescent Unit

For warmers contact BSI factory.

CURVED GLASS

- 1/4" Tempered Glass (Not for shelves)
- Maximum length equals 78"

GLASS OPTIONS

- 1" Radius Corner (standard)
- Square Corners

* Maximum span between legs on counter is recommended at 168".

INSTALLATION OPTIONS

Above-Counter

Under-Counter

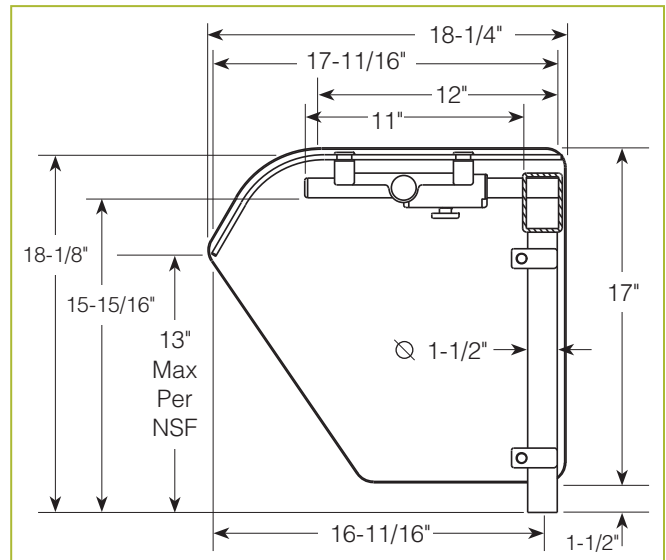
(Requires Under-Counter Reinforcement & Access)

See Installation Page for More Details.

ZG7950 Curved Glass Mega Span



Shown without end panels.



To meet NSF guidelines, end panels are included on all BSI quotations unless specifically excluded. (See End Panel Page for More Details.)

- Surface Installation 720A/726A: Steel Post and Flange w/Flange Cover
- Surface Installation 725A: Cut Flange
- Under-Counter Installation 720A/726A: Steel Post and Flange w/Flange Cover or w/out Flange Cover
- Under-Counter Installation 725A: Narrow Custom Flange

* Approval Drawings Required

ZGuards can be provided with a UL Listed light or warmer.