

## GENERAL INFORMATION

Project Name: \_\_\_\_\_  
 Item: \_\_\_\_\_  
 Quantity: \_\_\_\_\_  
 Model: ZG9560  
 Length: \_\_\_\_\_

## STANDARD NSF LISTED FINISH OPTIONS

- |   |  |
|---|--|
| <input type="checkbox"/> Stainless Steel #4 | <input type="checkbox"/> Chrome                |
| <input type="checkbox"/> Gloss Black        | <input type="checkbox"/> Wrinkle Black         |
| <input type="checkbox"/> Smoked Copper      | <input type="checkbox"/> Polished Brass Finish |
| <input type="checkbox"/> Other _____        |  |

## GLASS THICKNESS

- |  |
|--|
| <input type="checkbox"/> 1/4" Tempered Glass (not for shelves)<br>Centerline Max 54"                 |
| <input type="checkbox"/> 3/8" Tempered Glass (for shelf or span more than 54")<br>Centerline Max 66" |

## GLASS CORNERS

- |  |   |
|--|---|
| <input type="checkbox"/> 1" Radius Corner (standard) | <input type="checkbox"/> Square Corners |
|--|---|

## INSTALLATION OPTIONS

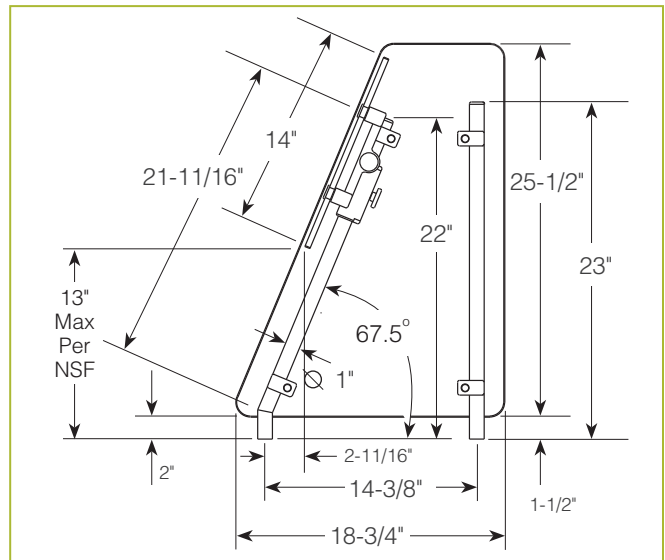
**Above-Counter:** Stainless Steel Counter  
**Under-Counter:** Stainless Steel Counter  
 (Requires Under-Counter Reinforcement & Access)

**Above-Counter:** Millwork Counter

**Under-Counter:** Millwork Counter

See Installation Page for More Details.

## ZG9560 Front Counter Installation



To meet NSF guidelines, end panels are included on all BSI quotations unless specifically excluded. (See End Panel Page for More Details.)

- |  |
|--|
| <input type="checkbox"/> SS1: EZ Mount 2" x 8" Flange  |
| <input type="checkbox"/> SSU3-H: Heavy-Duty Flange   |
| <input type="checkbox"/> SSU3-N: Narrow Flange   |
| <input type="checkbox"/> SSU5-H: Heavy-Duty Flange   |
| <input type="checkbox"/> SSU5-N: Narrow Flange   |
| <input type="checkbox"/> MW1: Heavy-Duty Flange  |
| <input type="checkbox"/> MW2: Narrow Flange  |
| <input type="checkbox"/> MWU3: Narrow Flange   |
| <input type="checkbox"/> MWU4: Compression Installation (not recommended for solid surfaces) |
| <input type="checkbox"/> MWU5: Heavy-Duty Flange   |

## \* Approval Drawings Required