

GENERAL INFORMATION

Project Name: _____
 Item: _____
 Quantity: _____
 Model: ZG9945-5
 Length: _____

STANDARD NSF LISTED FINISH OPTIONS

- Stainless Steel #4
- Chrome
- Gloss Black
- Wrinkle Black
- Smoked Copper
- Polished Brass Finish
- Other _____

LIGHT AND WARMER OPTIONS

- LED Light Unit
- Linear T-5 Fluorescent Unit
- BSI Stealth™ Linear Heat Only Unit
- BSI Stealth™ Linear Heat and Light Combo Unit (Fluorescent)
- BSI Stealth™ Linear Heat and Light Combo Unit (LED)
- BSI Stealth™ Linear Double Heat and Light Combo Unit (Fluorescent)
- BSI Stealth™ Linear Double Heat and Light Combo Unit (LED)
- Hatco® Brand Heat Only Unit
- Hatco® Brand Heat and Light Combo Unit

GLASS THICKNESS

- 1/4" Tempered Glass (not for shelves)
Centerline Max 54"
- 3/8" Tempered Glass (for shelf or span more than 54")
Centerline Max 66"
- 1/2" Tempered Glass (for shelf or span more than 66")
Centerline Max 72"

GLASS CORNERS

- 1" Radius Corner (standard)
- Square Corners

* Maximum span between legs on counter is recommended at 78".

INSTALLATION OPTIONS

Above-Counter

- Surface Installation 720A/726A: Steel Post and Flange w/Flange Cover

- Surface Installation 725A: Cut Flange

Under-Counter

(Requires Under-Counter Reinforcement & Access)

- Under-Counter Installation 720A/726A: Steel Post and Flange w/Flange Cover or w/out Flange Cover

- Under-Counter Installation 725A: Narrow Custom Flange

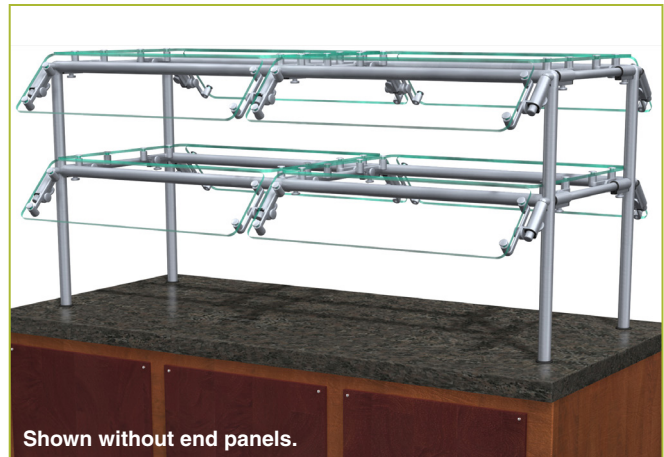
Concealed Installation: Stainless Steel and Millwork Counters

- Concealed Fastener (not for cantilever units)

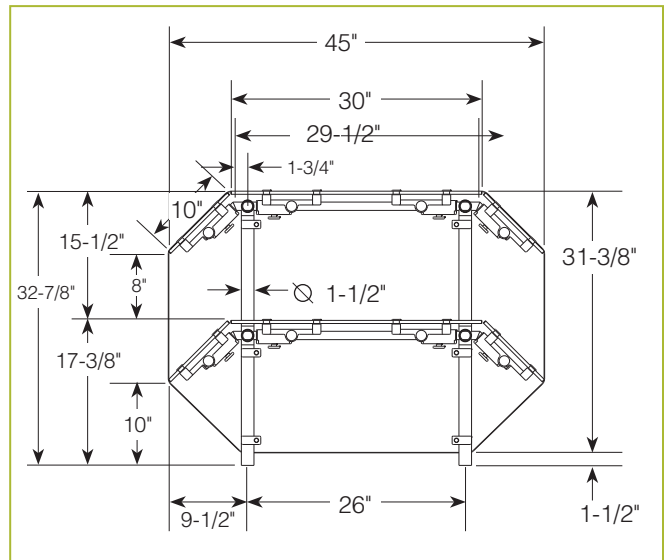
See Installation Page for More Details.

ZG9945-5

EZ Span Two-Tier, Two-Sided w/Display Shelf



Shown without end panels.



To meet NSF guidelines, end panels are included on all BSI quotations unless specifically excluded. (See End Panel Page for More Details.)

* Approval Drawings Required

ZGuards can be provided with a UL Listed light or warmer.