

GENERAL INFORMATION

Project Name: _____
 Item: _____
 Quantity: _____
 Model: ZG9945
 Length: _____

STANDARD NSF LISTED FINISH OPTIONS

- Stainless Steel #4
- Chrome
- Gloss Black
- Wrinkle Black
- Smoked Copper
- Polished Brass Finish
- Other _____

LIGHT AND WARMER OPTIONS

- LED Light Unit
- Linear T-5 Fluorescent Unit
- BSI Stealth™ Linear Heat Only Unit
- BSI Stealth™ Linear Heat and Light Combo Unit (Fluorescent)
- BSI Stealth™ Linear Heat and Light Combo Unit (LED)
- BSI Stealth™ Linear Double Heat and Light Combo Unit (Fluorescent)
- BSI Stealth™ Linear Double Heat and Light Combo Unit (LED)
- Hatco® Brand Heat Only Unit
- Hatco® Brand Heat and Light Combo Unit

GLASS THICKNESS

- 1/4" Tempered Glass (not for shelves)
Centerline Max 54"
- 3/8" Tempered Glass (for shelf or span more than 54")
Centerline Max 66"

GLASS CORNERS

- 1" Radius Corner (standard)
- Square Corners

* Maximum span between legs on counter is recommended at 78".

INSTALLATION OPTIONS

Above-Counter

- Surface Installation 720A/726A: Steel Post and Flange w/Flange Cover
- Surface Installation 725A: Cut Flange

Under-Counter

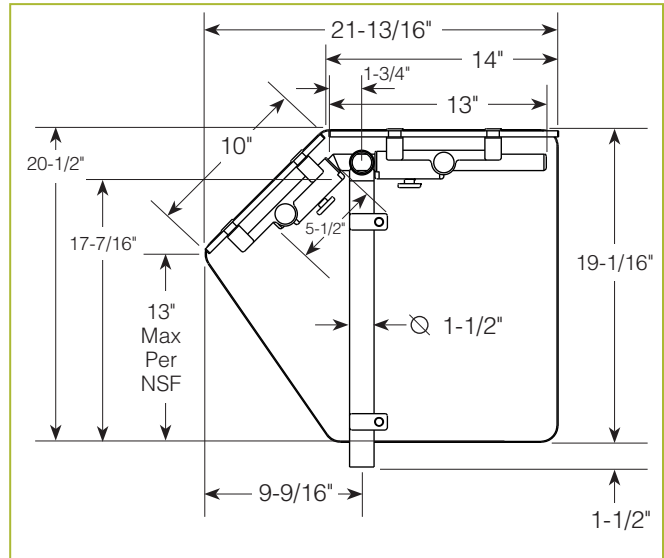
(Requires Under-Counter Reinforcement & Access)

- Under-Counter Installation 720A/726A: Steel Post and Flange w/Flange Cover or w/out Flange Cover
- Under-Counter Installation 725A: Narrow Custom Flange

See Installation Page for More Details.

ZG9945

EZ Span



To meet NSF guidelines, end panels are included on all BSI quotations unless specifically excluded. (See End Panel Page for More Details.)

* Approval Drawings Required

ZGuards can be provided with a UL Listed light or warmer.