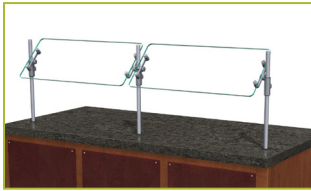
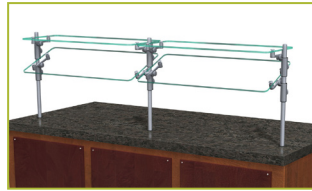


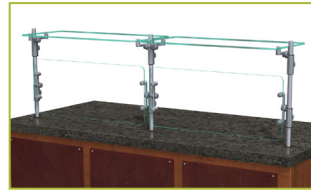
## QUICK REFERENCE GUIDE



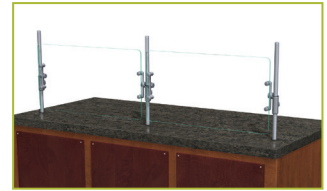
ZG9500



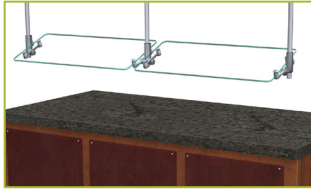
ZG9500-2



ZG9500-3



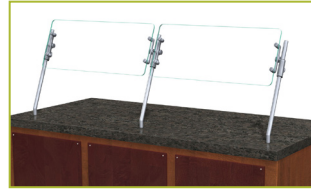
ZG9500-4



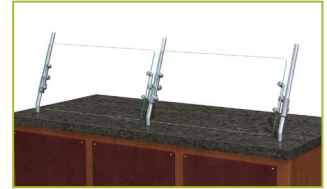
ZG9500-5



ZG9500-6



ZG9560



ZG9560-2



ZG9600



ZG9900



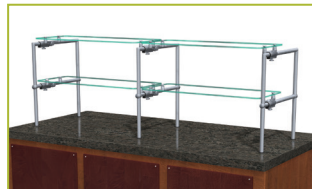
ZG9915



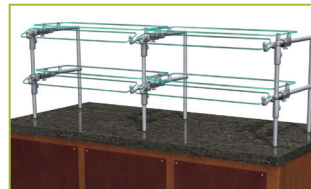
ZG9930



ZG9930-2



ZG9930-3



ZG9930-5



ZG9935



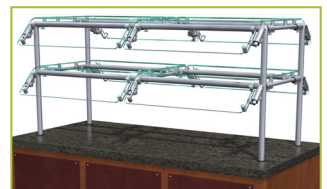
ZG9945



ZG9945-3



ZG9945-4



ZG9945-5



ZG9950



ZG9950-2

## GENERAL INFORMATION

**Project Name:** \_\_\_\_\_  
**Item:** \_\_\_\_\_  
**Quantity:** \_\_\_\_\_  
**Model:** ZG9500 \_\_\_\_\_  
**Length:** \_\_\_\_\_

## STANDARD NSF LISTED FINISH OPTIONS

- |   |  |
|---|--|
| <input type="checkbox"/> Brushed Aluminum | <input type="checkbox"/> Chrome                |
| <input type="checkbox"/> Gloss Black      | <input type="checkbox"/> Wrinkle Black         |
| <input type="checkbox"/> Smoked Copper    | <input type="checkbox"/> Polished Brass Finish |
| <input type="checkbox"/> Other _____      |  |

## GLASS THICKNESS

- |  |
|--|
| <input type="checkbox"/> 1/4" Tempered Glass (not for shelves)<br>Centerline Max 54"                 |
| <input type="checkbox"/> 3/8" Tempered Glass (for shelf or span more than 54")<br>Centerline Max 66" |

## GLASS CORNERS

- |  |   |
|--|---|
| <input type="checkbox"/> 1" Radius Corner (standard) | <input type="checkbox"/> Square Corners |
|--|---|

## INSTALLATION OPTIONS

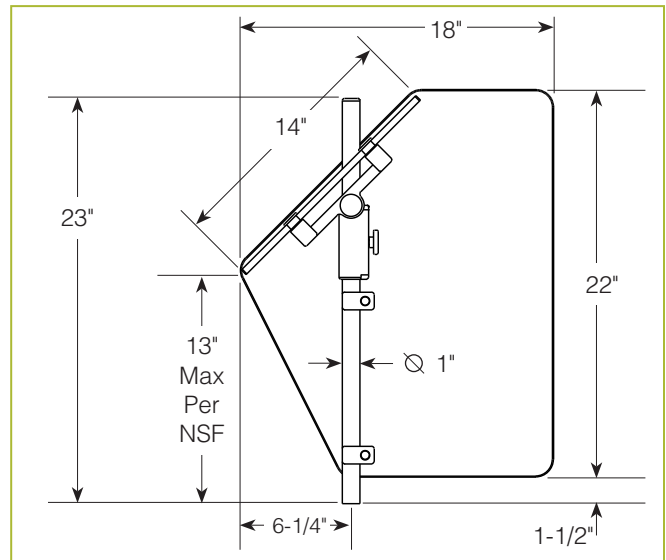
**Above-Counter:** Stainless Steel Counter  
**Under-Counter:** Stainless Steel Counter  
 (Requires Under-Counter Reinforcement & Access)

**Above-Counter:** Millwork Counter

**Under-Counter:** Millwork Counter

**See Installation Page for More Details.**

## ZG9500 Combo-Serve



To meet NSF guidelines, end panels are included on all BSI quotations unless specifically excluded. (See End Panel Page for More Details.)

- |  |
|--|
| <input type="checkbox"/> SS1: EZ Mount 2" x 8" Flange  |
| <input type="checkbox"/> SSU3-H: Heavy-Duty Flange   |
| <input type="checkbox"/> SSU3-N: Narrow Flange   |
| <input type="checkbox"/> SSU5-H: Heavy-Duty Flange   |
| <input type="checkbox"/> SSU5-N: Narrow Flange   |
| <input type="checkbox"/> MW1: Heavy-Duty Flange  |
| <input type="checkbox"/> MW2: Narrow Flange  |
| <input type="checkbox"/> MWU3: Narrow Flange   |
| <input type="checkbox"/> MWU4: Compression Installation (not recommended for solid surfaces) |
| <input type="checkbox"/> MWU5: Heavy-Duty Flange   |

## \* Approval Drawings Required

Specifications subject to change without notice.



## GENERAL INFORMATION

Project Name: \_\_\_\_\_  
 Item: \_\_\_\_\_  
 Quantity: \_\_\_\_\_  
 Model: ZG9500-2  
 Length: \_\_\_\_\_

## STANDARD NSF LISTED FINISH OPTIONS

- Brushed Aluminum
- Chrome
- Gloss Black
- Wrinkle Black
- Smoked Copper
- Polished Brass Finish
- Other \_\_\_\_\_

## GLASS THICKNESS

- 1/4" Tempered Glass (not for shelves)  
Centerline Max 54"
- 3/8" Tempered Glass (for shelf or span more than 54")  
Centerline Max 66"

## GLASS CORNERS

- 1" Radius Corner (standard)
- Square Corners

## INSTALLATION OPTIONS

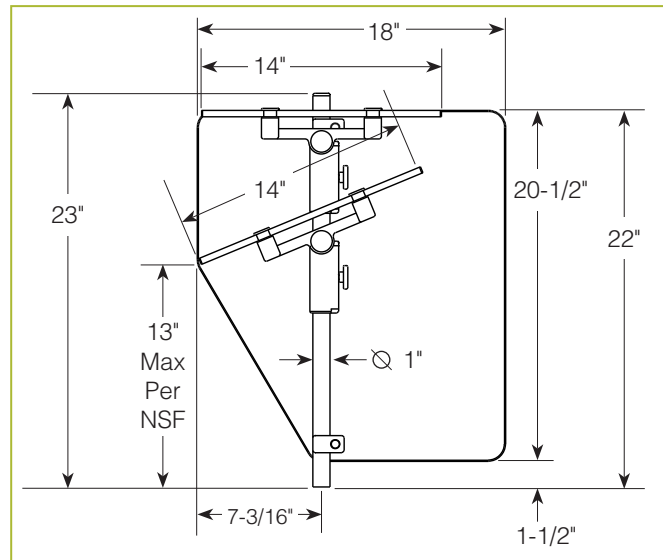
**Above-Counter:** Stainless Steel Counter  
**Under-Counter:** Stainless Steel Counter  
 (Requires Under-Counter Reinforcement & Access)

**Above-Counter:** Millwork Counter

**Under-Counter:** Millwork Counter

**See Installation Page for More Details.**

## ZG9500-2 Self-Serve w/Top Shelf or Two-Tier Display Shelf



To meet NSF guidelines, end panels are included on all BSI quotations unless specifically excluded. (See End Panel Page for More Details.)

- SS1: EZ Mount 2" x 8" Flange
- SSU3-H: Heavy-Duty Flange
- SSU3-N: Narrow Flange
- SSU5-H: Heavy-Duty Flange
- SSU5-N: Narrow Flange
- MW1: Heavy-Duty Flange
- MW2: Narrow Flange
- MWU3: Narrow Flange
- MWU4: Compression Installation (not recommended for solid surfaces)
- MWU5: Heavy-Duty Flange

## \* Approval Drawings Required

Specifications subject to change without notice.



## GENERAL INFORMATION

Project Name: \_\_\_\_\_  
 Item: \_\_\_\_\_  
 Quantity: \_\_\_\_\_  
 Model: ZG9500-3  
 Length: \_\_\_\_\_

## STANDARD NSF LISTED FINISH OPTIONS

- |   |  |
|---|--|
| <input type="checkbox"/> Brushed Aluminum | <input type="checkbox"/> Chrome                |
| <input type="checkbox"/> Gloss Black      | <input type="checkbox"/> Wrinkle Black         |
| <input type="checkbox"/> Smoked Copper    | <input type="checkbox"/> Polished Brass Finish |
| <input type="checkbox"/> Other _____      |  |

## GLASS THICKNESS

- 1/4" Tempered Glass (not for shelves)  
Centerline Max 54"
- 3/8" Tempered Glass (for shelf or span more than 54")  
Centerline Max 66"

## GLASS CORNERS

- 1" Radius Corner (standard)
- Square Corners

## INSTALLATION OPTIONS

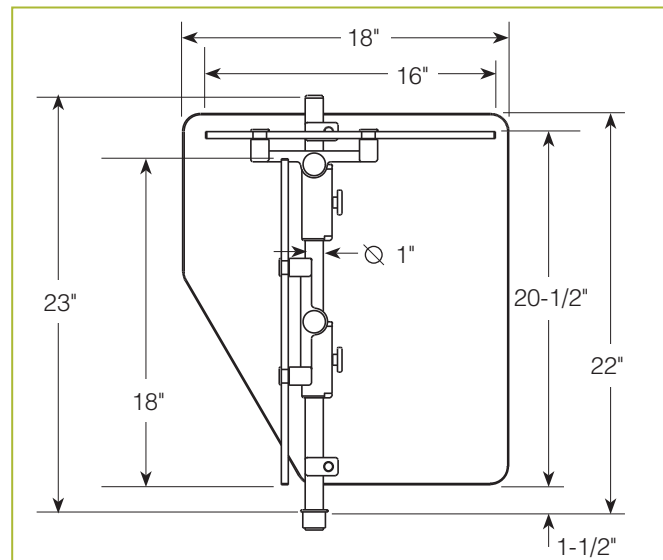
**Above-Counter:** Stainless Steel Counter  
**Under-Counter:** Stainless Steel Counter  
 (Requires Under-Counter Reinforcement & Access)

**Above-Counter:** Millwork Counter

**Under-Counter:** Millwork Counter

See Installation Page for More Details.

## ZG9500-3 Operator-Serve w/Offset Service Shelf



To meet NSF guidelines, end panels are included on all BSI quotations unless specifically excluded. (See End Panel Page for More Details.)

- SS1: EZ Mount 2" x 8" Flange
- SSU3-H: Heavy-Duty Flange
- SSU3-N: Narrow Flange
- SSU5-H: Heavy-Duty Flange
- SSU5-N: Narrow Flange
- MW1: Heavy-Duty Flange
- MW2: Narrow Flange
- MWU3: Narrow Flange
- MWU4: Compression Installation (not recommended for solid surfaces)
- MWU5: Heavy-Duty Flange

## \* Approval Drawings Required

Specifications subject to change without notice.





## GENERAL INFORMATION

Project Name: \_\_\_\_\_  
 Item: \_\_\_\_\_  
 Quantity: \_\_\_\_\_  
 Model: ZG9500-4  
 Length: \_\_\_\_\_

## STANDARD NSF LISTED FINISH OPTIONS

- |   |  |
|---|--|
| <input type="checkbox"/> Brushed Aluminum | <input type="checkbox"/> Chrome                |
| <input type="checkbox"/> Gloss Black      | <input type="checkbox"/> Wrinkle Black         |
| <input type="checkbox"/> Smoked Copper    | <input type="checkbox"/> Polished Brass Finish |
| <input type="checkbox"/> Other _____      |  |

## GLASS THICKNESS

- |  |
|--|
| <input type="checkbox"/> 1/4" Tempered Glass (not for shelves)<br>Centerline Max 54"                 |
| <input type="checkbox"/> 3/8" Tempered Glass (for shelf or span more than 54")<br>Centerline Max 66" |

## GLASS CORNERS

- |  |   |
|--|---|
| <input type="checkbox"/> 1" Radius Corner (standard) | <input type="checkbox"/> Square Corners |
|--|---|

## INSTALLATION OPTIONS

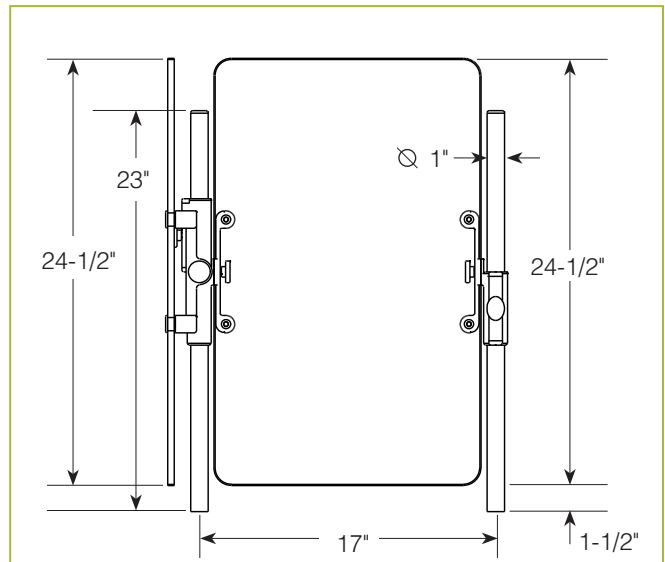
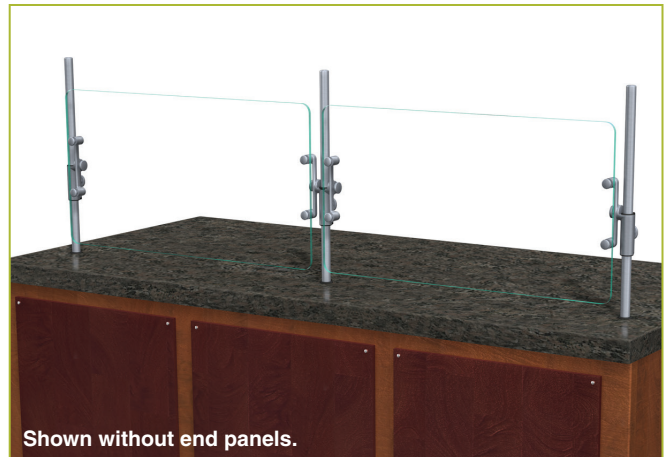
**Above-Counter:** Stainless Steel Counter  
**Under-Counter:** Stainless Steel Counter  
 (Requires Under-Counter Reinforcement & Access)

**Above-Counter:** Millwork Counter

**Under-Counter:** Millwork Counter

See Installation Page for More Details.

## ZG9500-4 Operator-Serve and/or Partition



To meet NSF guidelines, end panels are included on all BSI quotations unless specifically excluded. (See End Panel Page for More Details.)

- |  |
|--|
| <input type="checkbox"/> SS1: EZ Mount 2" x 8" Flange  |
| <input type="checkbox"/> SSU3-H: Heavy-Duty Flange   |
| <input type="checkbox"/> SSU3-N: Narrow Flange   |
| <input type="checkbox"/> SSU5-H: Heavy-Duty Flange   |
| <input type="checkbox"/> SSU5-N: Narrow Flange   |
| <input type="checkbox"/> MW1: Heavy-Duty Flange  |
| <input type="checkbox"/> MW2: Narrow Flange  |
| <input type="checkbox"/> MWU3: Narrow Flange   |
| <input type="checkbox"/> MWU4: Compression Installation (not recommended for solid surfaces) |
| <input type="checkbox"/> MWU5: Heavy-Duty Flange   |

## \* Approval Drawings Required

Specifications subject to change without notice.



## GENERAL INFORMATION

**Project Name:** \_\_\_\_\_  
**Item:** \_\_\_\_\_  
**Quantity:** \_\_\_\_\_  
**Model:** ZG9500-5 \_\_\_\_\_  
**Length:** \_\_\_\_\_

## STANDARD NSF LISTED FINISH OPTIONS

- |   |  |
|---|--|
| <input type="checkbox"/> Brushed Aluminum | <input type="checkbox"/> Chrome                |
| <input type="checkbox"/> Gloss Black      | <input type="checkbox"/> Wrinkle Black         |
| <input type="checkbox"/> Smoked Copper    | <input type="checkbox"/> Polished Brass Finish |
| <input type="checkbox"/> Other _____      |  |

## GLASS THICKNESS

- |  |
|--|
| <input type="checkbox"/> 1/4" Tempered Glass (not for shelves)<br>Centerline Max 54"                 |
| <input type="checkbox"/> 3/8" Tempered Glass (for shelf or span more than 54")<br>Centerline Max 66" |

## GLASS CORNERS

- |  |   |
|--|---|
| <input type="checkbox"/> 1" Radius Corner (standard) | <input type="checkbox"/> Square Corners |
|--|---|

## INSTALLATION OPTIONS

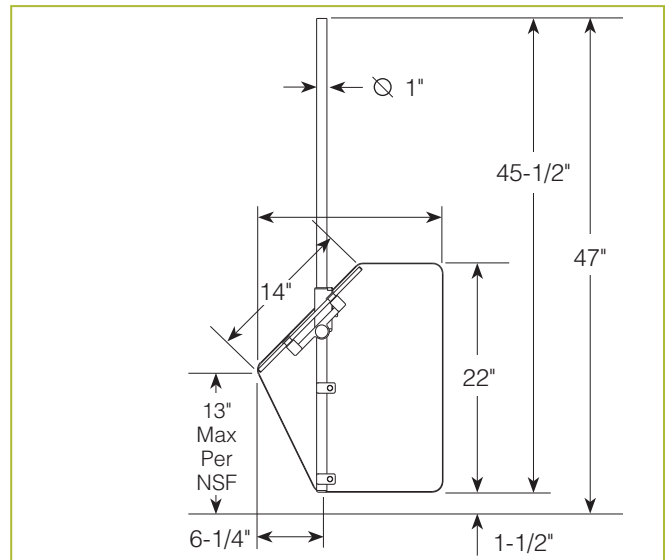
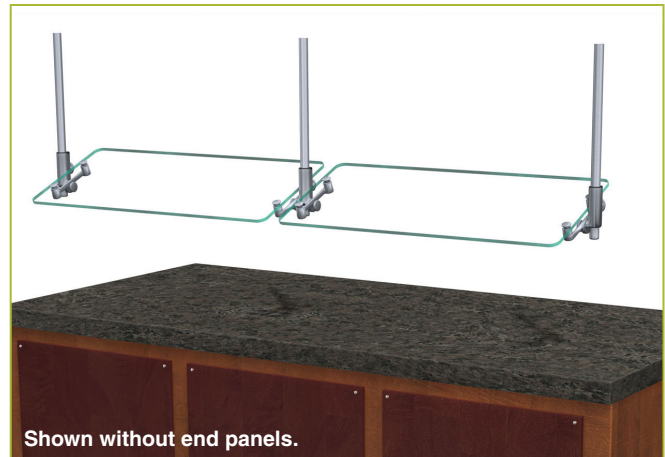
### Mounting Method

- MW1: Heavy-Duty Flange

Contact factory for optional mounting methods.

## ZG9500-5

Ceiling Mount



To meet NSF guidelines, end panels are included on all BSI quotations unless specifically excluded. (See End Panel Page for More Details.)

## \* Approval Drawings Required

Specifications subject to change without notice.



## GENERAL INFORMATION

Project Name: \_\_\_\_\_  
 Item: \_\_\_\_\_  
 Quantity: \_\_\_\_\_  
 Model: ZG9500-6  
 Length: \_\_\_\_\_

## STANDARD NSF LISTED FINISH OPTIONS

- |   |  |
|---|--|
| <input type="checkbox"/> Stainless Steel #4 | <input type="checkbox"/> Chrome                |
| <input type="checkbox"/> Gloss Black        | <input type="checkbox"/> Wrinkle Black         |
| <input type="checkbox"/> Smoked Copper      | <input type="checkbox"/> Polished Brass Finish |
| <input type="checkbox"/> Other _____        |  |

## GLASS THICKNESS

- |  |
|--|
| <input type="checkbox"/> 1/4" Tempered Glass (not for shelves)<br>Centerline Max 54"                 |
| <input type="checkbox"/> 3/8" Tempered Glass (for shelf or span more than 54")<br>Centerline Max 66" |

## GLASS CORNERS

- |  |   |
|--|---|
| <input type="checkbox"/> 1" Radius Corner (standard) | <input type="checkbox"/> Square Corners |
|--|---|

## INSTALLATION OPTIONS

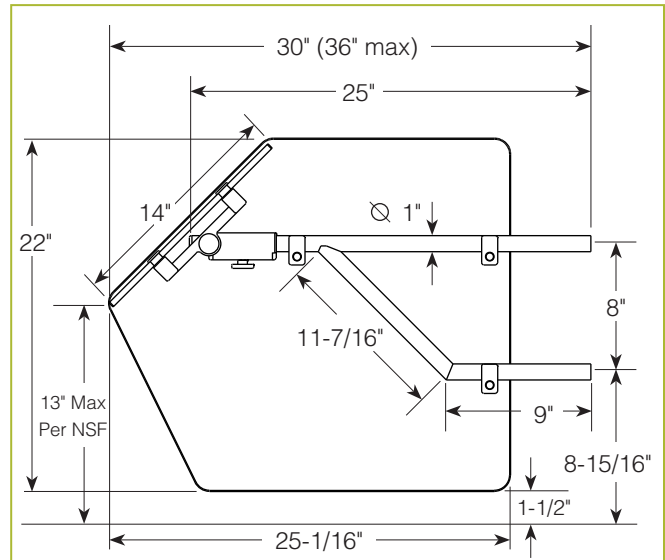
### Mounting Method

- MW1: Heavy-Duty Flange

Contact factory for optional mounting methods.

## ZG9500-6

Wall Mount



To meet NSF guidelines, end panels are included on all BSI quotations unless specifically excluded. (See End Panel Page for More Details.)

## \* Approval Drawings Required

Specifications subject to change without notice.



## GENERAL INFORMATION

Project Name: \_\_\_\_\_  
 Item: \_\_\_\_\_  
 Quantity: \_\_\_\_\_  
 Model: ZG9560  
 Length: \_\_\_\_\_

## STANDARD NSF LISTED FINISH OPTIONS

- |   |  |
|---|--|
| <input type="checkbox"/> Stainless Steel #4 | <input type="checkbox"/> Chrome                |
| <input type="checkbox"/> Gloss Black        | <input type="checkbox"/> Wrinkle Black         |
| <input type="checkbox"/> Smoked Copper      | <input type="checkbox"/> Polished Brass Finish |
| <input type="checkbox"/> Other _____        |  |

## GLASS THICKNESS

- |  |
|--|
| <input type="checkbox"/> 1/4" Tempered Glass (not for shelves)<br>Centerline Max 54"                 |
| <input type="checkbox"/> 3/8" Tempered Glass (for shelf or span more than 54")<br>Centerline Max 66" |

## GLASS CORNERS

- |  |   |
|--|---|
| <input type="checkbox"/> 1" Radius Corner (standard) | <input type="checkbox"/> Square Corners |
|--|---|

## INSTALLATION OPTIONS

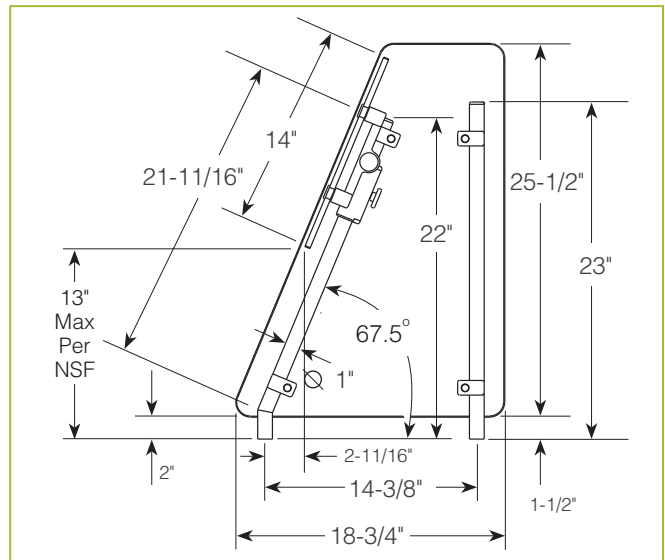
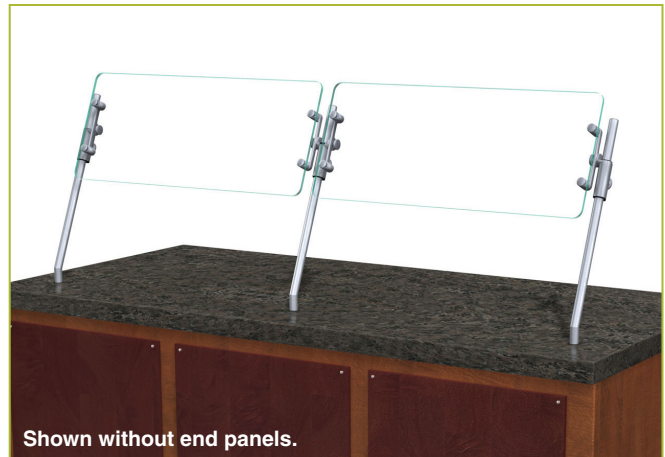
**Above-Counter:** Stainless Steel Counter  
**Under-Counter:** Stainless Steel Counter  
 (Requires Under-Counter Reinforcement & Access)

**Above-Counter:** Millwork Counter

**Under-Counter:** Millwork Counter

See Installation Page for More Details.

## ZG9560 Front Counter Installation



To meet NSF guidelines, end panels are included on all BSI quotations unless specifically excluded. (See End Panel Page for More Details.)

- |  |
|--|
| <input type="checkbox"/> SS1: EZ Mount 2" x 8" Flange  |
| <input type="checkbox"/> SSU3-H: Heavy-Duty Flange   |
| <input type="checkbox"/> SSU3-N: Narrow Flange   |
| <input type="checkbox"/> SSU5-H: Heavy-Duty Flange   |
| <input type="checkbox"/> SSU5-N: Narrow Flange   |
| <input type="checkbox"/> MW1: Heavy-Duty Flange  |
| <input type="checkbox"/> MW2: Narrow Flange  |
| <input type="checkbox"/> MWU3: Narrow Flange   |
| <input type="checkbox"/> MWU4: Compression Installation (not recommended for solid surfaces) |
| <input type="checkbox"/> MWU5: Heavy-Duty Flange   |

## \* Approval Drawings Required

Specifications subject to change without notice.



## GENERAL INFORMATION

Project Name: \_\_\_\_\_  
 Item: \_\_\_\_\_  
 Quantity: \_\_\_\_\_  
 Model: ZG9560-2  
 Length: \_\_\_\_\_

## STANDARD NSF LISTED FINISH OPTIONS

- |   |  |
|---|--|
| <input type="checkbox"/> Stainless Steel #4 | <input type="checkbox"/> Chrome                |
| <input type="checkbox"/> Gloss Black        | <input type="checkbox"/> Wrinkle Black         |
| <input type="checkbox"/> Smoked Copper      | <input type="checkbox"/> Polished Brass Finish |
| <input type="checkbox"/> Other _____        |  |

## GLASS THICKNESS

- |  |
|--|
| <input type="checkbox"/> 1/4" Tempered Glass (not for shelves)<br>Centerline Max 54"                 |
| <input type="checkbox"/> 3/8" Tempered Glass (for shelf or span more than 54")<br>Centerline Max 66" |

## GLASS CORNERS

- |  |   |
|--|---|
| <input type="checkbox"/> 1" Radius Corner (standard) | <input type="checkbox"/> Square Corners |
|--|---|

## INSTALLATION OPTIONS

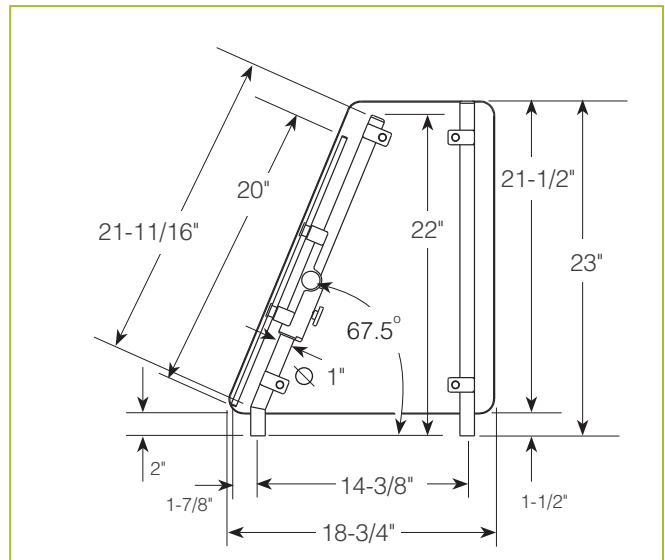
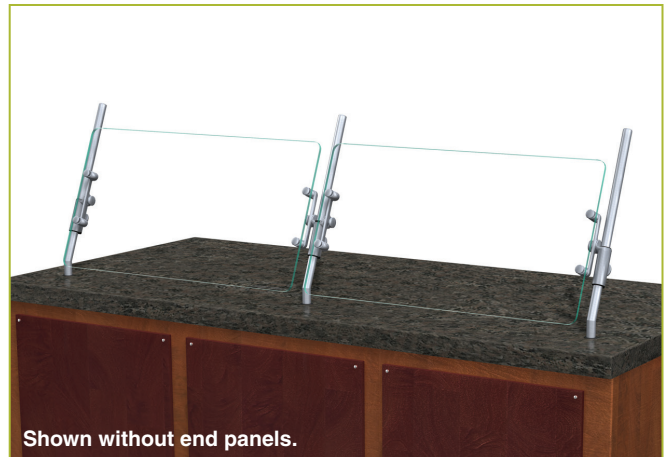
**Above-Counter:** Stainless Steel Counter  
**Under-Counter:** Stainless Steel Counter  
 (Requires Under-Counter Reinforcement & Access)

**Above-Counter:** Millwork Counter

**Under-Counter:** Millwork Counter

See Installation Page for More Details.

## ZG9560-2 Front Counter Operator-Serve Partition



To meet NSF guidelines, end panels are included on all BSI quotations unless specifically excluded. (See End Panel Page for More Details.)

- |  |
|--|
| <input type="checkbox"/> SS1: EZ Mount 2" x 8" Flange  |
| <input type="checkbox"/> SSU3-H: Heavy-Duty Flange   |
| <input type="checkbox"/> SSU3-N: Narrow Flange   |
| <input type="checkbox"/> SSU5-H: Heavy-Duty Flange   |
| <input type="checkbox"/> SSU5-N: Narrow Flange   |
| <input type="checkbox"/> MW1: Heavy-Duty Flange  |
| <input type="checkbox"/> MW2: Narrow Flange  |
| <input type="checkbox"/> MWU3: Narrow Flange   |
| <input type="checkbox"/> MWU4: Compression Installation (not recommended for solid surfaces) |
| <input type="checkbox"/> MWU5: Heavy-Duty Flange   |

## \* Approval Drawings Required

Specifications subject to change without notice.





## GENERAL INFORMATION

Project Name: \_\_\_\_\_  
 Item: \_\_\_\_\_  
 Quantity: \_\_\_\_\_  
 Model: ZG9600 \_\_\_\_\_  
 Length: \_\_\_\_\_

## STANDARD NSF LISTED FINISH OPTIONS

- |   |  |
|---|--|
| <input type="checkbox"/> Brushed Aluminum | <input type="checkbox"/> Chrome                |
| <input type="checkbox"/> Gloss Black      | <input type="checkbox"/> Wrinkle Black         |
| <input type="checkbox"/> Smoked Copper    | <input type="checkbox"/> Polished Brass Finish |
| <input type="checkbox"/> Other _____      |  |

## GLASS THICKNESS

- |  |
|--|
| <input type="checkbox"/> 1/4" Tempered Glass (not for shelves)                 |
| <input type="checkbox"/> Centerline Max 54"                                    |
| <input type="checkbox"/> 3/8" Tempered Glass (for shelf or span more than 54") |
| <input type="checkbox"/> Centerline Max 66"                                    |

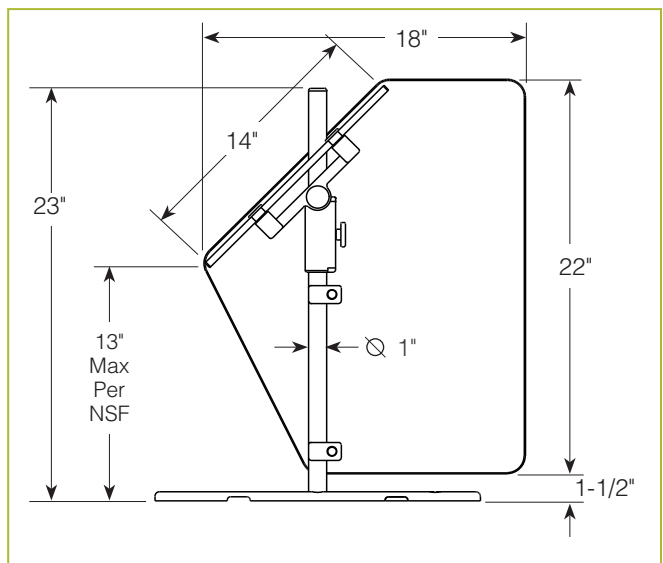
For overall dimension greater than 47" please call the BSI Factory.

## GLASS CORNERS

- |  |   |
|--|---|
| <input type="checkbox"/> 1" Radius Corner (standard) | <input type="checkbox"/> Square Corners |
|--|---|

## ZG9600

Portable Market Guard



To meet NSF guidelines, end panels are included on all BSI quotations unless specifically excluded. (See End Panel Page for More Details.)

### \* Approval Drawings Required

Specifications subject to change without notice.



## GENERAL INFORMATION

**Project Name:** \_\_\_\_\_  
**Item:** \_\_\_\_\_  
**Quantity:** \_\_\_\_\_  
**Model:** ZG9900 \_\_\_\_\_  
**Length:** \_\_\_\_\_

## STANDARD NSF LISTED FINISH OPTIONS

- Brushed Aluminum (Standard)
- Stainless Steel #4
- Stainless Steel #8 (Chrome)
- Matte Black
- Gloss Black
- Wrinkle Black
- Prismatic Brass
- Smoked Copper
- Statuary Bronze
- Other \_\_\_\_\_

## LIGHT OPTIONS

- Slimline LED Light Unit

For warmers contact BSI factory.

## GLASS THICKNESS

- 1/4" Tempered Glass (not for shelves)  
Centerline Max 54"
- 3/8" Tempered Glass (for shelf or span more than 54")  
Centerline Max 66"

## GLASS CORNERS

- 1" Radius Corner (standard)
- Square Corners

## INSTALLATION OPTIONS

**Above-Counter:** Stainless Steel Counter

**Above-Counter:** Millwork Counter

**See Installation Page for More Details.**

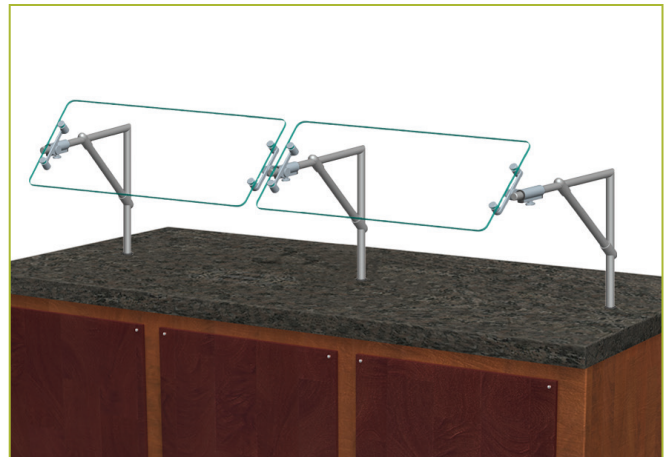
Contact BSI for under counter mounting options.

\* Approval Drawings Required

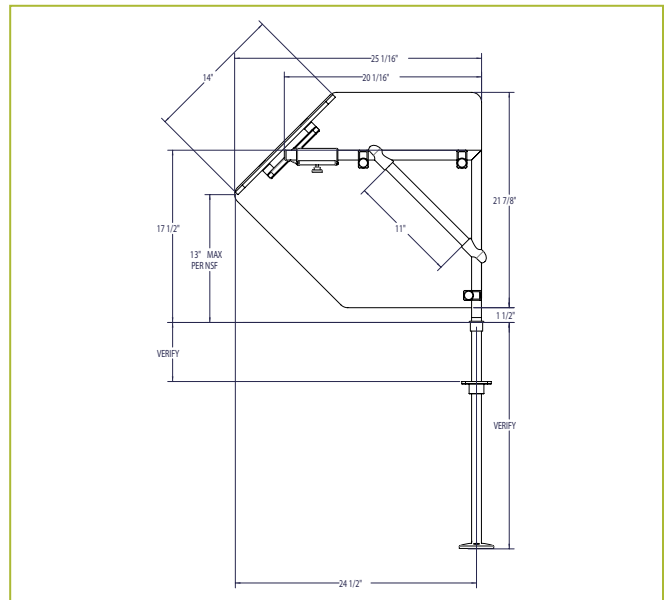
Specifications subject to change without notice.

## ZG9900

*Cantilever Self Serve*



Shown without end panels.



To meet NSF guidelines, end panels are included on all BSI quotations unless specifically excluded. (See end panel page for more details).

- SS1: EZ Mount 2" x 8" Flange
- MW1: Heavy-Duty Flange
- MW2: Narrow Flange

## GENERAL INFORMATION

**Project Name:** \_\_\_\_\_  
**Item:** \_\_\_\_\_  
**Quantity:** \_\_\_\_\_  
**Model:** ZG9915 \_\_\_\_\_  
**Length:** \_\_\_\_\_

## STANDARD NSF LISTED FINISH OPTIONS

- |   |  |
|---|--|
| <input type="checkbox"/> Stainless Steel #4 | <input type="checkbox"/> Chrome                |
| <input type="checkbox"/> Gloss Black        | <input type="checkbox"/> Wrinkle Black         |
| <input type="checkbox"/> Smoked Copper      | <input type="checkbox"/> Polished Brass Finish |
| <input type="checkbox"/> Other _____        | <input type="checkbox"/> _____                 |

## LIGHT OPTIONS

- LED Light Unit
- Linear T-5 Fluorescent Unit

For warmers contact BSI factory.

## GLASS THICKNESS

- 1/4" Tempered Glass (not for shelves)  
Centerline Max 54"
- 3/8" Tempered Glass (for shelf or span more than 54")  
Centerline Max 66"

## GLASS CORNERS

- 1" Radius Corner (standard)
- Square Corners

## INSTALLATION OPTIONS

**Under-Counter:** Stainless Steel Counter  
(Requires Under-Counter Reinforcement & Access)

**Under-Counter:** Millwork Counter

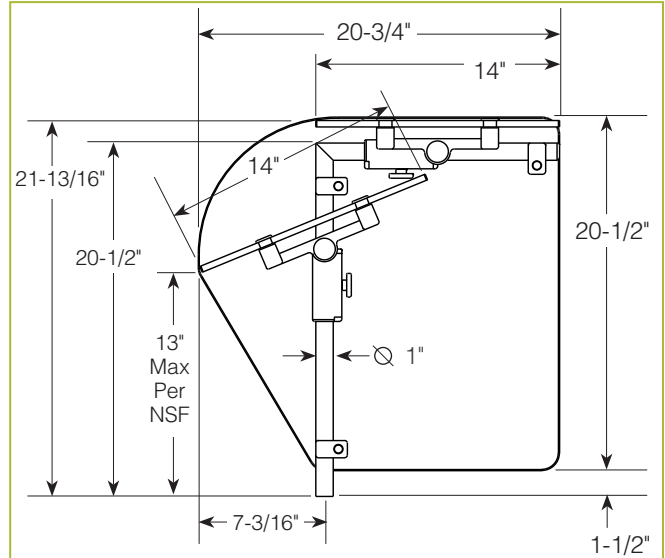
See Installation Page for More Details.

- SSU3-H: Heavy-Duty Flange
- SSU3-N: Narrow Flange
- SSU5-H: Heavy-Duty Flange
- SSU5-N: Narrow Flange
- MWU3: Narrow Flange
- MWU4: Compression Installation (not recommended for solid surfaces)
- MWU5: Heavy-Duty Flange

## ZG9915 Combo-Serve



Shown without end panels.



To meet NSF guidelines, end panels are included on all BSI quotations unless specifically excluded. (See End Panel Page for More Details.)

## \* Approval Drawings Required

ZGuards can be provided with a UL Listed light or warmer.

Specifications subject to change without notice.



11.23

## GENERAL INFORMATION

Project Name: \_\_\_\_\_  
 Item: \_\_\_\_\_  
 Quantity: \_\_\_\_\_  
 Model: ZG9930  
 Length: \_\_\_\_\_

## STANDARD NSF LISTED FINISH OPTIONS

- Stainless Steel #4
- Chrome
- Gloss Black
- Wrinkle Black
- Smoked Copper
- Polished Brass Finish
- Other \_\_\_\_\_

## LIGHT AND WARMER OPTIONS

- LED Light Unit
- Linear T-5 Fluorescent Unit
- BSI Stealth™ Linear Heat Only Unit
- BSI Stealth™ Linear Heat and Light Combo Unit (Fluorescent)
- BSI Stealth™ Linear Heat and Light Combo Unit (LED)
- BSI Stealth™ Linear Double Heat and Light Combo Unit (Fluorescent)
- BSI Stealth™ Linear Double Heat and Light Combo Unit (LED)
- Hatco® Brand Heat Only Unit
- Hatco® Brand Heat and Light Combo Unit

## GLASS THICKNESS

- 1/4" Tempered Glass (not for shelves)  
Centerline Max 54"
- 3/8" Tempered Glass (for shelf or span more than 54")  
Centerline Max 66"

## GLASS CORNERS

- 1" Radius Corner (standard)
- Square Corners

## INSTALLATION OPTIONS

**Above-Counter:** Stainless Steel Counter  
**Under-Counter:** Stainless Steel Counter  
 (Requires Under-Counter Reinforcement & Access)

**Above-Counter:** Millwork Counter

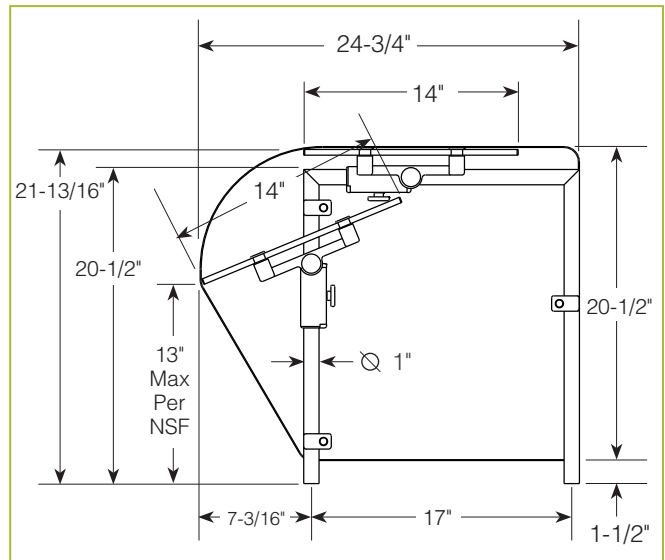
**Under-Counter:** Millwork Counter

**See Installation Page for More Details.**

## ZG9930 Single-Sided w/Top Shelf



Shown without end panels.



To meet NSF guidelines, end panels are included on all BSI quotations unless specifically excluded. (See End Panel Page for More Details.)

- SS1: EZ Mount 2" x 8" Flange
- SSU3-H: Heavy-Duty Flange
- SSU3-N: Narrow Flange
- SSU5-H: Heavy-Duty Flange
- SSU5-N: Narrow Flange
- MW1: Heavy-Duty Flange
- MW2: Narrow Flange
- MWU3: Narrow Flange
- MWU4: Compression Installation (not recommended for solid surfaces)
- MWU5: Heavy-Duty Flange

## \* Approval Drawings Required

Specifications subject to change without notice.

ZGuards can be provided with a UL Listed light or warmer.



## GENERAL INFORMATION

Project Name: \_\_\_\_\_  
 Item: \_\_\_\_\_  
 Quantity: \_\_\_\_\_  
 Model: ZG9930-2  
 Length: \_\_\_\_\_

## STANDARD NSF LISTED FINISH OPTIONS

- Stainless Steel #4
- Chrome
- Gloss Black
- Wrinkle Black
- Smoked Copper
- Polished Brass Finish
- Other \_\_\_\_\_

## LIGHT AND WARMER OPTIONS

- LED Light Unit
- Linear T-5 Fluorescent Unit
- BSI Stealth™ Linear Heat Only Unit
- BSI Stealth™ Linear Heat and Light Combo Unit (Fluorescent)
- BSI Stealth™ Linear Heat and Light Combo Unit (LED)
- BSI Stealth™ Linear Double Heat and Light Combo Unit (Fluorescent)
- BSI Stealth™ Linear Double Heat and Light Combo Unit (LED)
- Hatco® Brand Heat Only Unit
- Hatco® Brand Heat and Light Combo Unit

## GLASS THICKNESS

- 1/4" Tempered Glass (not for shelves)  
Centerline Max 54"
- 3/8" Tempered Glass (for shelf or span more than 54")  
Centerline Max 66"

## GLASS CORNERS

- 1" Radius Corner (standard)
- Square Corners

## INSTALLATION OPTIONS

**Above-Counter:** Stainless Steel Counter  
**Under-Counter:** Stainless Steel Counter  
 (Requires Under-Counter Reinforcement & Access)

**Above-Counter:** Millwork Counter

**Under-Counter:** Millwork Counter

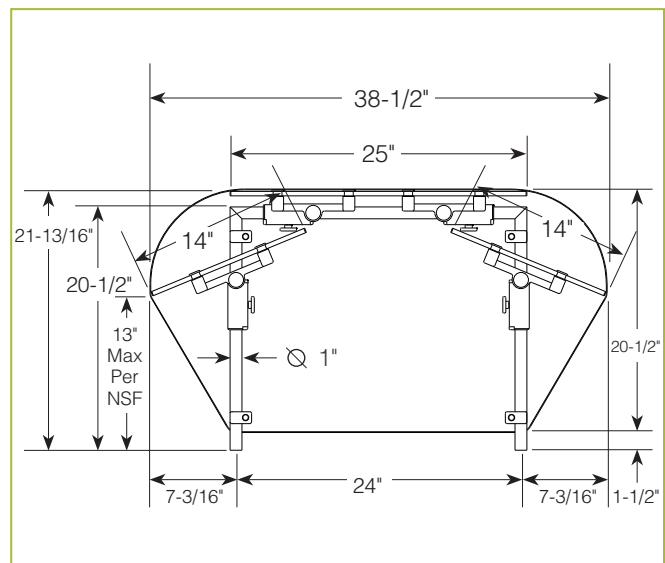
- SS1: EZ Mount 2" x 8" Flange
- SSU3-H: Heavy-Duty Flange
- SSU3-N: Narrow Flange
- SSU5-H: Heavy-Duty Flange
- SSU5-N: Narrow Flange
- MW1: Heavy-Duty Flange
- MW2: Narrow Flange
- MWU3: Narrow Flange
- MWU4: Compression Installation (not recommended for solid surfaces)
- MWU5: Heavy-Duty Flange

See Installation Page for More Details.

## \* Approval Drawings Required

Specifications subject to change without notice.

## ZG9930-2 Double-Sided w/Top Shelf



To meet NSF guidelines, end panels are included on all BSI quotations unless specifically excluded. (See End Panel Page for More Details.)

ZGuards can be provided with a UL Listed light or warmer.





## GENERAL INFORMATION

Project Name: \_\_\_\_\_  
 Item: \_\_\_\_\_  
 Quantity: \_\_\_\_\_  
 Model: ZG9930-3  
 Length: \_\_\_\_\_

## STANDARD NSF LISTED FINISH OPTIONS

- Stainless Steel #4
- Chrome
- Gloss Black
- Wrinkle Black
- Smoked Copper
- Polished Brass Finish
- Other \_\_\_\_\_

## LIGHT AND WARMER OPTIONS

- LED Light Unit
- Linear T-5 Fluorescent Unit
- BSI Stealth™ Linear Heat Only Unit
- BSI Stealth™ Linear Heat and Light Combo Unit (Fluorescent)
- BSI Stealth™ Linear Heat and Light Combo Unit (LED)
- BSI Stealth™ Linear Double Heat and Light Combo Unit (Fluorescent)
- BSI Stealth™ Linear Double Heat and Light Combo Unit (LED)
- Hatco® Brand Heat Only Unit
- Hatco® Brand Heat and Light Combo Unit

## GLASS THICKNESS

- 1/4" Tempered Glass (not for shelves)  
Centerline Max 54"
- 3/8" Tempered Glass (for shelf or span more than 54")  
Centerline Max 66"

## GLASS CORNERS

- 1" Radius Corner (standard)
- Square Corners

## INSTALLATION OPTIONS

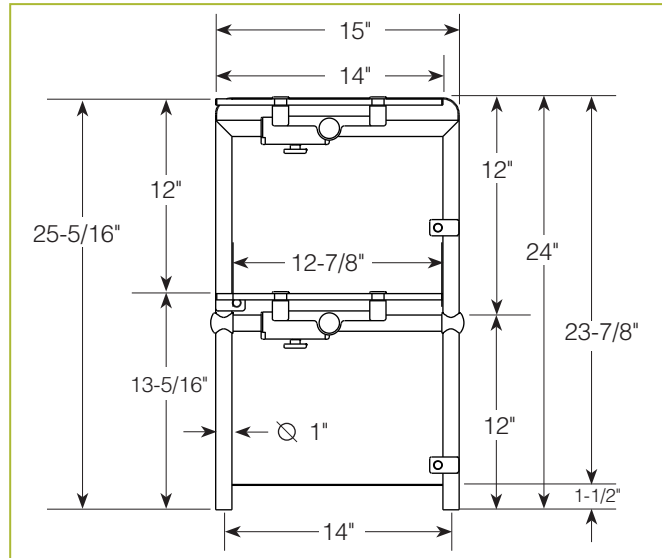
**Above-Counter:** Stainless Steel Counter  
**Under-Counter:** Stainless Steel Counter  
 (Requires Under-Counter Reinforcement & Access)

**Above-Counter:** Millwork Counter

**Under-Counter:** Millwork Counter

**See Installation Page for More Details.**

## ZG9930-3 Two-Tier Display Shelf



To meet NSF guidelines, end panels are included on all BSI quotations unless specifically excluded. (See End Panel Page for More Details.)

- SS1: EZ Mount 2" x 8" Flange
- SSU3-H: Heavy-Duty Flange
- SSU3-N: Narrow Flange
- SSU5-H: Heavy-Duty Flange
- SSU5-N: Narrow Flange
- MW1: Heavy-Duty Flange
- MW2: Narrow Flange
- MWU3: Narrow Flange
- MWU4: Compression Installation (not recommended for solid surfaces)
- MWU5: Heavy-Duty Flange

ZGuards can be provided with a UL Listed light or warmer.



## GENERAL INFORMATION

Project Name: \_\_\_\_\_  
 Item: \_\_\_\_\_  
 Quantity: \_\_\_\_\_  
 Model: ZG9930-5  
 Length: \_\_\_\_\_

## STANDARD NSF LISTED FINISH OPTIONS

- Stainless Steel #4
- Chrome
- Gloss Black
- Wrinkle Black
- Smoked Copper
- Polished Brass Finish
- Other \_\_\_\_\_

## LIGHT AND WARMER OPTIONS

- LED Light Unit
- Linear T-5 Fluorescent Unit
- BSI Stealth™ Linear Heat Only Unit
- BSI Stealth™ Linear Heat and Light Combo Unit (Fluorescent)
- BSI Stealth™ Linear Heat and Light Combo Unit (LED)
- BSI Stealth™ Linear Double Heat and Light Combo Unit (Fluorescent)
- BSI Stealth™ Linear Double Heat and Light Combo Unit (LED)
- Hatco® Brand Heat Only Unit
- Hatco® Brand Heat and Light Combo Unit

## GLASS THICKNESS

- 1/4" Tempered Glass (not for shelves)  
Centerline Max 54"
- 3/8" Tempered Glass (for shelf or span more than 54")  
Centerline Max 66"

## GLASS CORNERS

- 1" Radius Corner (standard)
- Square Corners

## INSTALLATION OPTIONS

**Above-Counter:** Stainless Steel Counter  
**Under-Counter:** Stainless Steel Counter  
 (Requires Under-Counter Reinforcement & Access)

**Above-Counter:** Millwork Counter

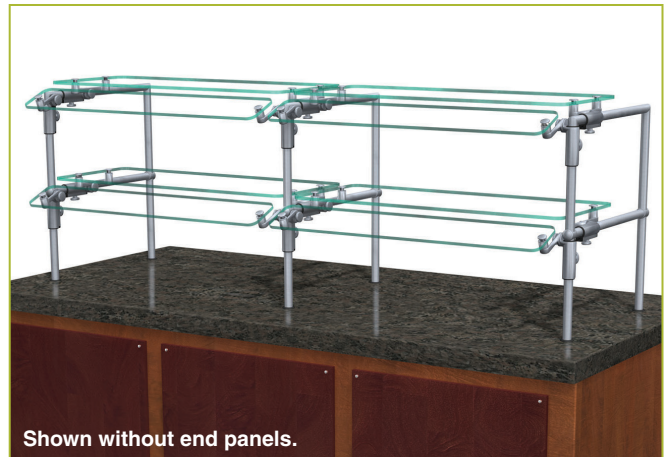
**Under-Counter:** Millwork Counter

- SS1: EZ Mount 2" x 8" Flange
- SSU3-H: Heavy-Duty Flange
- SSU3-N: Narrow Flange
- SSU5-H: Heavy-Duty Flange
- SSU5-N: Narrow Flange
- MW1: Heavy-Duty Flange
- MW2: Narrow Flange
- MWU3: Narrow Flange
- MWU4: Compression Installation (not recommended for solid surfaces)
- MWU5: Heavy-Duty Flange

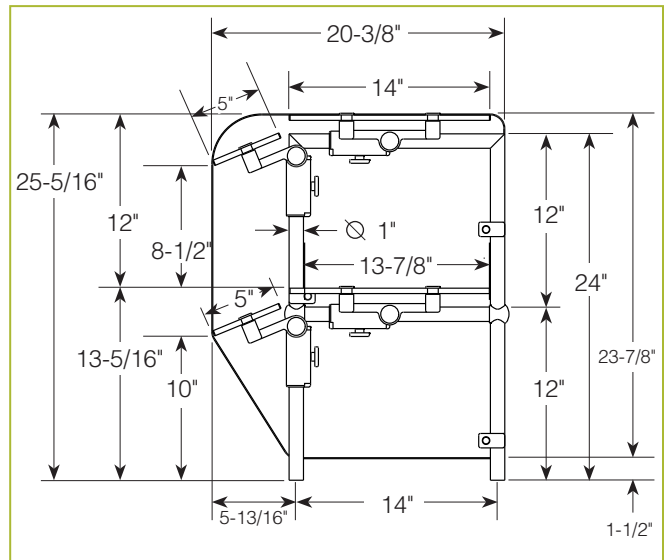
See Installation Page for More Details.

## ZG9930-5

### Two-Tier Display Case



Shown without end panels.



To meet NSF guidelines, end panels are included on all BSI quotations unless specifically excluded. (See End Panel Page for More Details.)

ZGuards can be provided with a UL Listed light or warmer.

## \* Approval Drawings Required

Specifications subject to change without notice.



## GENERAL INFORMATION

Project Name: \_\_\_\_\_  
 Item: \_\_\_\_\_  
 Quantity: \_\_\_\_\_  
 Model:                     ZG9935                      
 Length: \_\_\_\_\_

## STANDARD SPECIFICATIONS

- 1" Diameter Stainless Steel Posts
- 3/8" Clear Tempered Front Glass Panels (max. span 66")
- 3/8" Clear Tempered Glass Top Shelf (max span 66")
- Max Center Line Post-to-Post Span = 78"
- 1/4" Clear Tempered Glass End Panels
- 1" Radius Glass Corners

## OPTIONS AND ACCESSORIES

### NSF-LISTED FINISH OPTIONS

- |  |  |
|--|--|
| <input type="checkbox"/> Brushed Aluminum (Standard) | <input type="checkbox"/> Stainless Steel #8 (Chrome) |
| <input type="checkbox"/> Gloss Black                 | <input type="checkbox"/> Matte Black                 |
| <input type="checkbox"/> Prismatic Brass             | <input type="checkbox"/> Wrinkle Black               |
| <input type="checkbox"/> Statuary Bronze             | <input type="checkbox"/> Smoked Copper               |
| <input type="checkbox"/> Other _____                 |  |

### GLASS FINISHES

- |   |   |
|---|---|
| <input type="checkbox"/> Clear (Standard) | <input type="checkbox"/> Low-Iron             |
| <input type="checkbox"/> Frosted          | <input type="checkbox"/> Frosted Logo/Imprint |
| <input type="checkbox"/> Pattern          |   |

### GLASS CORNERS

- |   |   |
|---|---|
| <input type="checkbox"/> 1" Radius Corners (Standard) | <input type="checkbox"/> Square Corners |
|---|---|

### GLASS PANEL OPTIONS

- |  |  |
|--|--|
| <input type="checkbox"/> 1/4" (max. span 54" Front Glass Only) | <input type="checkbox"/> 3/8" (max. span 66") (Standard) |
|--|--|

### MOUNTING STYLES (SELECT ONE)

See installation page for more details.

**Above Counter:** Stainless Steel Counter

**Under Counter:** Stainless Steel Counter

(Requires Under-Counter Reinforcement & Access)

**Above Counter:** Millwork Counter

**Under Counter:** Millwork Counter

Approval Drawings Required  
 Specifications subject to change without notice.

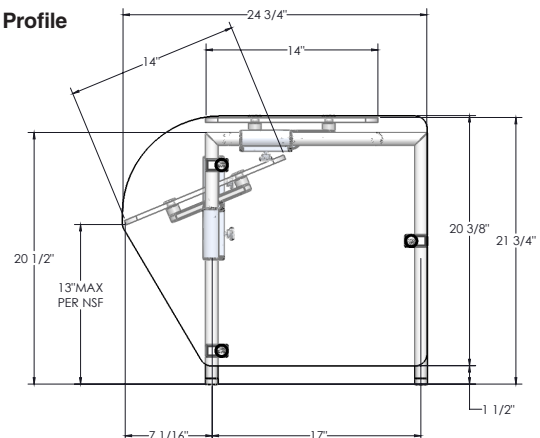
## ZG9935 ClearSpan

**Self Serve w/Top Shelf, U-Shaped End Posts w/ Shortened Center Post**

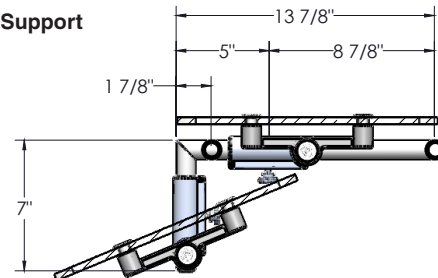


To meet NSF guidelines, end panels are included on all BSI quotations unless specifically excluded. (See End Panel Page for More Details.)

### Side Profile



### Center Support



### LIGHT AND WARMER OPTIONS

- | Model #                       | Description                       |
|-------------------------------|-----------------------------------|
| <input type="checkbox"/> 2580 | BSI Slimline LED Light            |
| <input type="checkbox"/> 790  | BSI Stealth Heat-Only Warmer      |
| <input type="checkbox"/> 705  | BSI Stealth Heat-Light Combo      |
| <input type="checkbox"/> 500  | BSI Stealth Heat-Light-Heat Combo |

All BSI light and warmer units are UL Listed. See light and warmer spec sheets for detailed information. Axes is also available with other manufacturers' heat and light units. Contact BSI for details.

- |  |  |
|--|--|
| <input type="checkbox"/> SS1: EZ Mount 2" x 8" Flange  | <input type="checkbox"/> SSU3-N: Narrow Flange   |
| <input type="checkbox"/> SSU3-H: Heavy-Duty Flange   | <input type="checkbox"/> SSU5-N: Narrow Flange   |
| <input type="checkbox"/> SSU5-H: Heavy-Duty Flange   | <input type="checkbox"/> MW1: Heavy-Duty Flange  |
| <input type="checkbox"/> MW1: Heavy-Duty Flange  | <input type="checkbox"/> MW2: Narrow Flange      |
| <input type="checkbox"/> MWU3: Narrow Flange   | <input type="checkbox"/> MWU5: Heavy-Duty Flange |
| <input type="checkbox"/> MWU4: Compression Installation (not recommended for solid surfaces) |  |

## GENERAL INFORMATION

Project Name: \_\_\_\_\_  
 Item: \_\_\_\_\_  
 Quantity: \_\_\_\_\_  
 Model: \_\_\_\_\_ ZG9945  
 Length: \_\_\_\_\_

## STANDARD NSF LISTED FINISH OPTIONS

- Stainless Steel #4       Chrome
- Gloss Black             Wrinkle Black
- Smoked Copper         Polished Brass Finish
- Other \_\_\_\_\_

## LIGHT AND WARMER OPTIONS

- LED Light Unit
- Linear T-5 Fluorescent Unit
- BSI Stealth™ Linear Heat Only Unit
- BSI Stealth™ Linear Heat and Light Combo Unit (Fluorescent)
- BSI Stealth™ Linear Heat and Light Combo Unit (LED)
- BSI Stealth™ Linear Double Heat and Light Combo Unit (Fluorescent)
- BSI Stealth™ Linear Double Heat and Light Combo Unit (LED)
- Hatco® Brand Heat Only Unit
- Hatco® Brand Heat and Light Combo Unit

## GLASS THICKNESS

- 1/4" Tempered Glass (not for shelves)  
Centerline Max 54"
- 3/8" Tempered Glass (for shelf or span more than 54")  
Centerline Max 66"

## GLASS CORNERS

- 1" Radius Corner (standard)     Square Corners

\* Maximum span between legs on counter is recommended at 78".

## INSTALLATION OPTIONS

### Above-Counter

- Surface Installation 720A/726A: Steel Post and Flange w/Flange Cover
- Surface Installation 725A: Cut Flange

### Under-Counter

(Requires Under-Counter Reinforcement & Access)

- Under-Counter Installation 720A/726A: Steel Post and Flange w/Flange Cover or w/out Flange Cover
- Under-Counter Installation 725A: Narrow Custom Flange

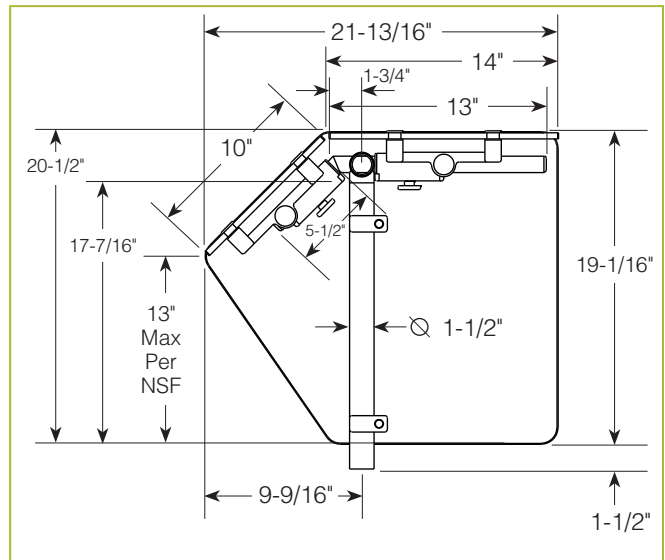
See Installation Page for More Details.

## ZG9945

EZ Span



Shown without end panels.



To meet NSF guidelines, end panels are included on all BSI quotations unless specifically excluded. (See End Panel Page for More Details.)

## \* Approval Drawings Required

ZGuards can be provided with a UL Listed light or warmer.

Specifications subject to change without notice.



11.23

## GENERAL INFORMATION

Project Name: \_\_\_\_\_  
 Item: \_\_\_\_\_  
 Quantity: \_\_\_\_\_  
 Model: ZG9945-3  
 Length: \_\_\_\_\_

## STANDARD NSF LISTED FINISH OPTIONS

- Stainless Steel #4
- Chrome
- Gloss Black
- Wrinkle Black
- Smoked Copper
- Polished Brass Finish
- Other \_\_\_\_\_

## LIGHT AND WARMER OPTIONS

- LED Light Unit
- Linear T-5 Fluorescent Unit
- BSI Stealth™ Linear Heat Only Unit
- BSI Stealth™ Linear Heat and Light Combo Unit (Fluorescent)
- BSI Stealth™ Linear Heat and Light Combo Unit (LED)
- BSI Stealth™ Linear Double Heat and Light Combo Unit (Fluorescent)
- BSI Stealth™ Linear Double Heat and Light Combo Unit (LED)
- Hatco® Brand Heat Only Unit
- Hatco® Brand Heat and Light Combo Unit

## GLASS THICKNESS

- 1/4" Tempered Glass (not for shelves)  
Centerline Max 54"
- 3/8" Tempered Glass (for shelf or span more than 54")  
Centerline Max 66"

## GLASS CORNERS

- 1" Radius Corner (standard)
- Square Corners

\* Maximum span between legs on counter is recommended at 78".

## INSTALLATION OPTIONS

### Above-Counter

- Surface Installation 720A/726A: Steel Post and Flange w/Flange Cover

### Under-Counter

(Requires Under-Counter Reinforcement & Access)

- Surface Installation 725A: Cut Flange
- Under-Counter Installation 720A/726A: Steel Post and Flange w/Flange Cover or w/out Flange Cover
- Under-Counter Installation 725A: Narrow Custom Flange

**Concealed Installation:** Stainless Steel and Millwork Counters

- Concealed Fastener (not for cantilever units)

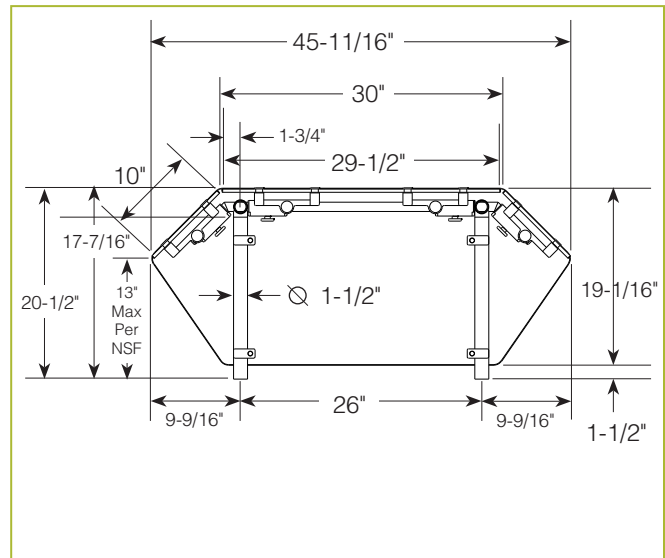
**See Installation Page for More Details.**

## ZG9945-3

### EZ Span Self-Serve, Two-Sided w/Top Shelf



Shown without end panels.



To meet NSF guidelines, end panels are included on all BSI quotations unless specifically excluded. (See End Panel Page for More Details.)

## \* Approval Drawings Required

ZGuards can be provided with a UL Listed light or warmer.

Specifications subject to change without notice.



11.23



## GENERAL INFORMATION

Project Name: \_\_\_\_\_  
 Item: \_\_\_\_\_  
 Quantity: \_\_\_\_\_  
 Model: ZG9945-4  
 Length: \_\_\_\_\_

## STANDARD NSF LISTED FINISH OPTIONS

- Stainless Steel #4
- Chrome
- Gloss Black
- Wrinkle Black
- Smoked Copper
- Polished Brass Finish
- Other \_\_\_\_\_

## LIGHT AND WARMER OPTIONS

- LED Light Unit
- Linear T-5 Fluorescent Unit
- BSI Stealth™ Linear Heat Only Unit
- BSI Stealth™ Linear Heat and Light Combo Unit (Fluorescent)
- BSI Stealth™ Linear Heat and Light Combo Unit (LED)
- BSI Stealth™ Linear Double Heat and Light Combo Unit (Fluorescent)
- BSI Stealth™ Linear Double Heat and Light Combo Unit (LED)
- Hatco® Brand Heat Only Unit
- Hatco® Brand Heat and Light Combo Unit

## GLASS THICKNESS

- 1/4" Tempered Glass (not for shelves)  
Centerline Max 54"
- 3/8" Tempered Glass (for shelf or span more than 54")  
Centerline Max 66"

## GLASS CORNERS

- 1" Radius Corner (standard)
- Square Corners

\* Maximum span between legs on counter is recommended at 78".

## INSTALLATION OPTIONS

### Above-Counter

- Surface Installation 720A/726A: Steel Post and Flange w/Flange Cover

### Under-Counter

(Requires Under-Counter Reinforcement & Access)

- Surface Installation 725A: Cut Flange
- Under-Counter Installation 720A/726A: Steel Post and Flange w/Flange Cover or w/out Flange Cover
- Under-Counter Installation 725A: Narrow Custom Flange

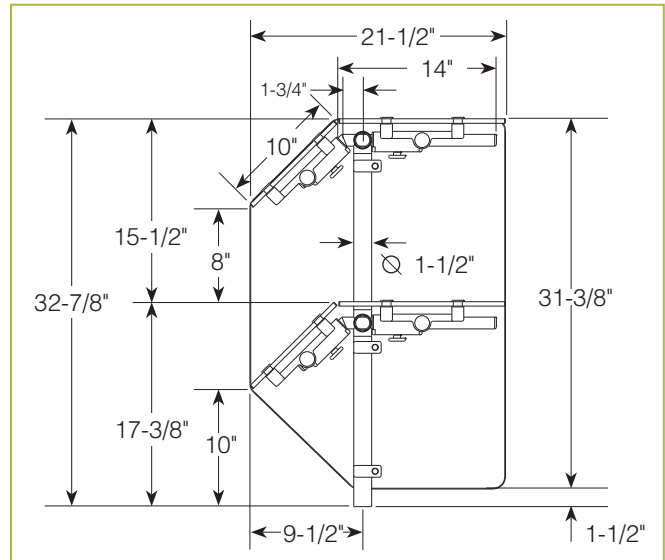
See Installation Page for More Details.

## ZG9945-4

### EZ Span Two-Tier, Self-Serve w/Top Shelf



Shown without end panels.



To meet NSF guidelines, end panels are included on all BSI quotations unless specifically excluded. (See End Panel Page for More Details.)

## \* Approval Drawings Required

ZGuards can be provided with a UL Listed light or warmer.

Specifications subject to change without notice.



11.23

## GENERAL INFORMATION

Project Name: \_\_\_\_\_  
 Item: \_\_\_\_\_  
 Quantity: \_\_\_\_\_  
 Model: ZG9945-5  
 Length: \_\_\_\_\_

## STANDARD NSF LISTED FINISH OPTIONS

- Stainless Steel #4
- Chrome
- Gloss Black
- Wrinkle Black
- Smoked Copper
- Polished Brass Finish
- Other \_\_\_\_\_

## LIGHT AND WARMER OPTIONS

- LED Light Unit
- Linear T-5 Fluorescent Unit
- BSI Stealth™ Linear Heat Only Unit
- BSI Stealth™ Linear Heat and Light Combo Unit (Fluorescent)
- BSI Stealth™ Linear Heat and Light Combo Unit (LED)
- BSI Stealth™ Linear Double Heat and Light Combo Unit (Fluorescent)
- BSI Stealth™ Linear Double Heat and Light Combo Unit (LED)
- Hatco® Brand Heat Only Unit
- Hatco® Brand Heat and Light Combo Unit

## GLASS THICKNESS

- 1/4" Tempered Glass (not for shelves)  
Centerline Max 54"
- 3/8" Tempered Glass (for shelf or span more than 54")  
Centerline Max 66"

## GLASS CORNERS

- 1" Radius Corner (standard)
- Square Corners

\* Maximum span between legs on counter is recommended at 78".

## INSTALLATION OPTIONS

### Above-Counter

- Surface Installation 720A/726A: Steel Post and Flange w/Flange Cover
- Surface Installation 725A: Cut Flange

### Under-Counter

(Requires Under-Counter Reinforcement & Access)

- Under-Counter Installation 720A/726A: Steel Post and Flange w/Flange Cover or w/out Flange Cover
- Under-Counter Installation 725A: Narrow Custom Flange

**Concealed Installation:** Stainless Steel and Millwork Counters

- Concealed Fastener (not for cantilever units)

**See Installation Page for More Details.**

## \* Approval Drawings Required

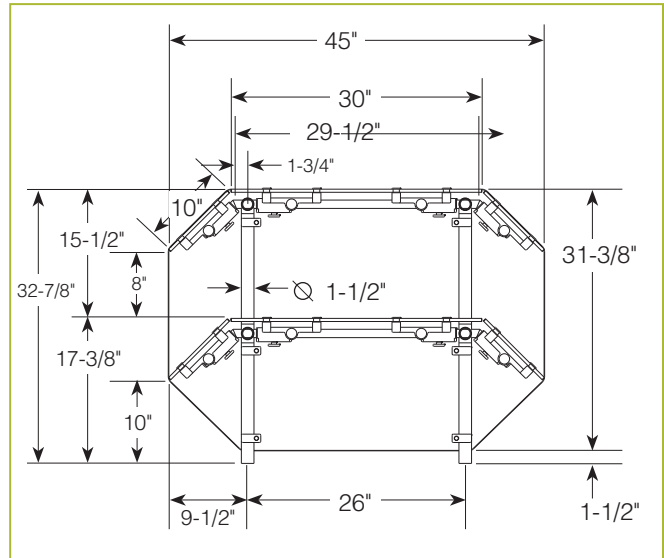
Specifications subject to change without notice.

## ZG9945-5

### EZ Span Two-Tier, Two-Sided w/Display Shelf



Shown without end panels.



To meet NSF guidelines, end panels are included on all BSI quotations unless specifically excluded. (See End Panel Page for More Details.)

ZGuards can be provided with a UL Listed light or warmer.



## GENERAL INFORMATION

Project Name: \_\_\_\_\_  
 Item: \_\_\_\_\_  
 Quantity: \_\_\_\_\_  
 Model: \_\_\_\_\_ ZG9950  
 Length: \_\_\_\_\_

## STANDARD NSF LISTED FINISH OPTIONS

- Stainless Steel #4
- Chrome
- Gloss Black
- Wrinkle Black
- Smoked Copper
- Polished Brass Finish
- Other \_\_\_\_\_

## LIGHT AND WARMER OPTIONS

- LED Light Unit
- Linear T-5 Fluorescent Unit
- BSI Stealth™ Linear Heat Only Unit
- BSI Stealth™ Linear Heat and Light Combo Unit (Fluorescent)
- BSI Stealth™ Linear Heat and Light Combo Unit (LED)
- BSI Stealth™ Linear Double Heat and Light Combo Unit (Fluorescent)
- BSI Stealth™ Linear Double Heat and Light Combo Unit (LED)
- Hatco® Brand Heat Only Unit
- Hatco® Brand Heat and Light Combo Unit

## GLASS THICKNESS

- 1/4" Tempered Glass (not for shelves)  
Centerline Max 54"
- 3/8" Tempered Glass (for shelf or span more than 54")  
Centerline Max 66"

\* Maximum span between legs on counter is recommended at 168".

## GLASS CORNERS

- 1" Radius Corner (standard)
- Square Corners

## INSTALLATION OPTIONS

### Above-Counter

- Surface Installation 720A/726A: Steel Post and Flange w/Flange Cover
- Surface Installation 725A: Cut Flange

### Under-Counter

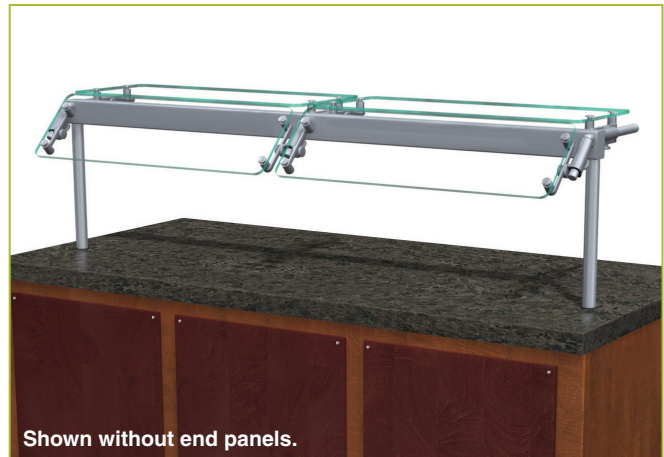
(Requires Under-Counter Reinforcement & Access)

- Under-Counter Installation 720A/726A: Steel Post and Flange w/Flange Cover or w/out Flange Cover
- Under-Counter Installation 725A: Narrow Custom Flange

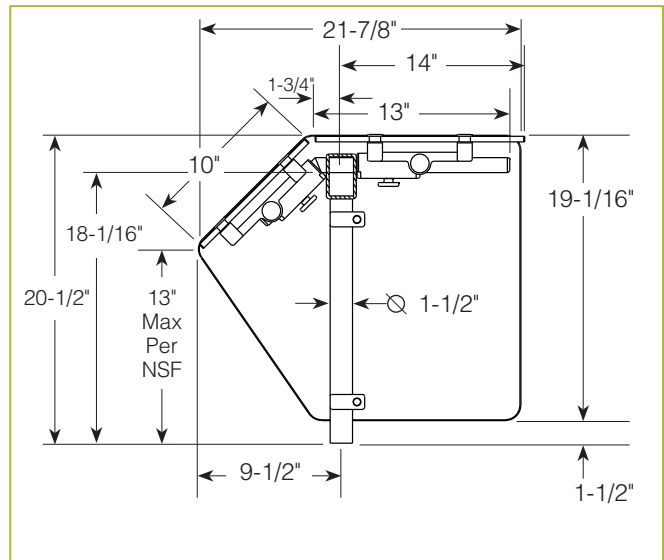
See Installation Page for More Details.

## ZG9950

Mega Span



Shown without end panels.



To meet NSF guidelines, end panels are included on all BSI quotations unless specifically excluded. (See End Panel Page for More Details.)

## \* Approval Drawings Required

ZGuards can be provided with a UL Listed light or warmer.

Specifications subject to change without notice.



11.23

## GENERAL INFORMATION

Project Name: \_\_\_\_\_  
 Item: \_\_\_\_\_  
 Quantity: \_\_\_\_\_  
 Model: ZG9950-2  
 Length: \_\_\_\_\_

## STANDARD NSF LISTED FINISH OPTIONS

- |   |  |
|---|--|
| <input type="checkbox"/> Stainless Steel #4 | <input type="checkbox"/> Chrome                |
| <input type="checkbox"/> Gloss Black        | <input type="checkbox"/> Wrinkle Black         |
| <input type="checkbox"/> Smoked Copper      | <input type="checkbox"/> Polished Brass Finish |
| <input type="checkbox"/> Other _____        |  |

## LIGHT AND WARMER OPTIONS

- LED Light Unit
- Linear T-5 Fluorescent Unit
- BSI Stealth™ Linear Heat Only Unit
- BSI Stealth™ Linear Heat and Light Combo Unit (Fluorescent)
- BSI Stealth™ Linear Heat and Light Combo Unit (LED)
- BSI Stealth™ Linear Double Heat and Light Combo Unit (Fluorescent)
- BSI Stealth™ Linear Double Heat and Light Combo Unit (LED)
- Hatco® Brand Heat Only Unit
- Hatco® Brand Heat and Light Combo Unit

## GLASS THICKNESS

- 1/4" Tempered Glass (not for shelves)  
Centerline Max 54"
- 3/8" Tempered Glass (for shelf or span more than 54")  
Centerline Max 66"

\* Maximum span between legs on counter is recommended at 168".

## GLASS CORNERS

- 1" Radius Corner (standard)
- Square Corners

## INSTALLATION OPTIONS

### Above-Counter

### Under-Counter

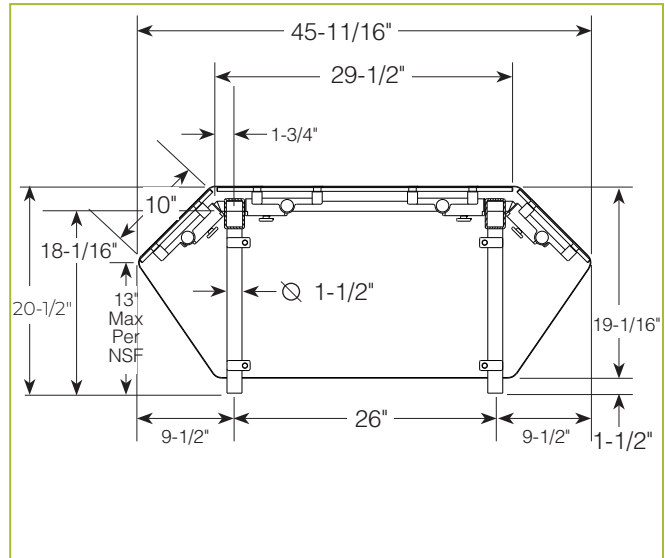
(Requires Under-Counter Reinforcement & Access)

**See Installation Page for More Details.**

- Surface Installation 720A/726A: Steel Post and Flange w/Flange Cover
- Surface Installation 725A: Cut Flange
- Under-Counter Installation 720A/726A: Steel Post and Flange w/Flange Cover or w/out Flange Cover
- Under-Counter Installation 725A: Narrow Custom Flange

## ZG9950-2

### Double-Sided Mega Span



To meet NSF guidelines, end panels are included on all BSI quotations unless specifically excluded. (See End Panel Page for More Details.)

## \* Approval Drawings Required

ZGuards can be provided with a UL Listed light or warmer.

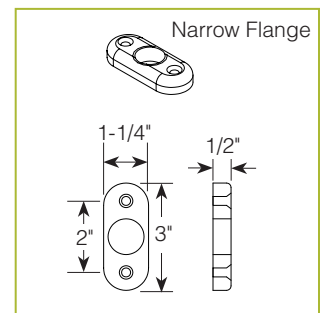
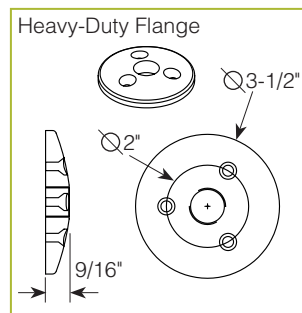
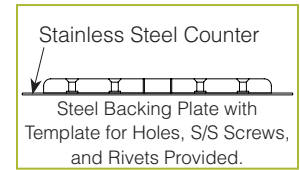
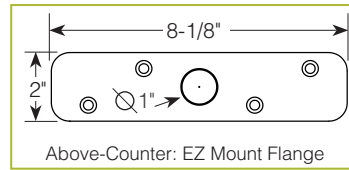
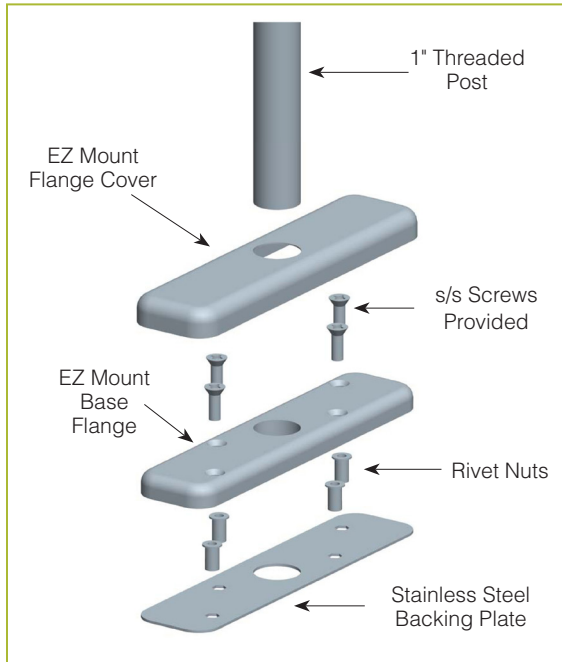
Specifications subject to change without notice.



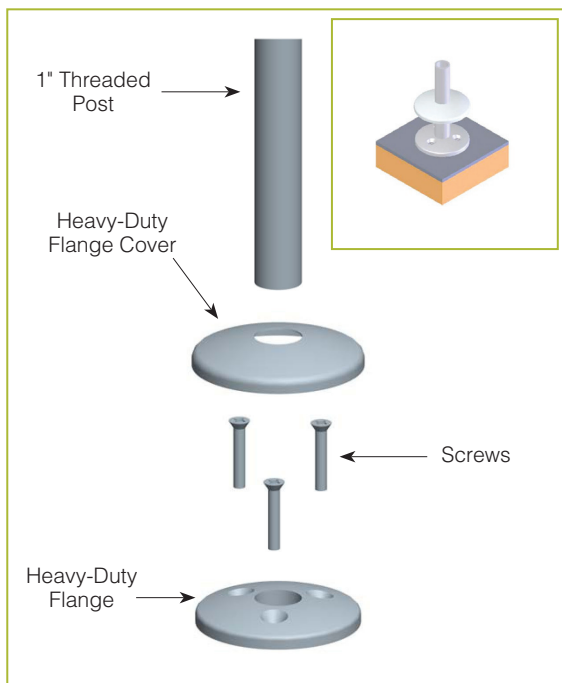
11.23

## ABOVE-COUNTER INSTALLATION FOR 1" ZGUARD POSTS

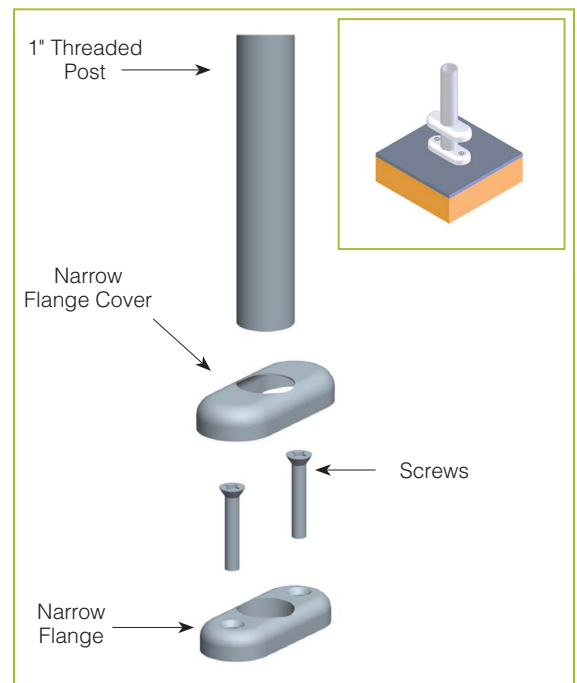
### For Stainless Steel Counter SS1: EZ Mount 2" x 8" Flange



### For Millwork Counter MW1: Heavy-Duty Flange



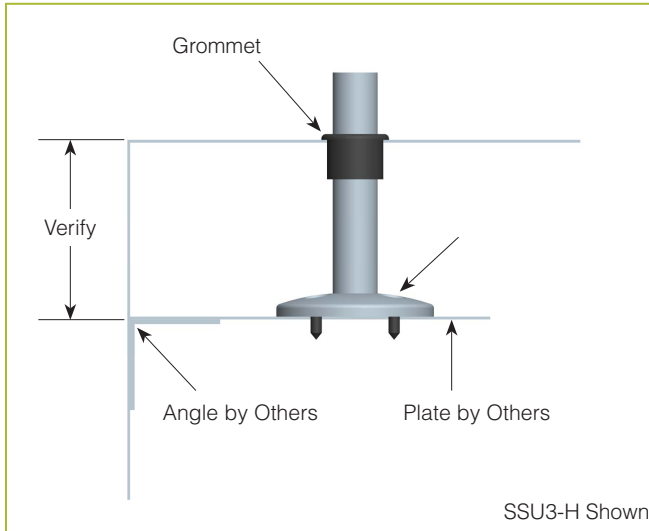
### For Millwork Counter MW2: Narrow Flange



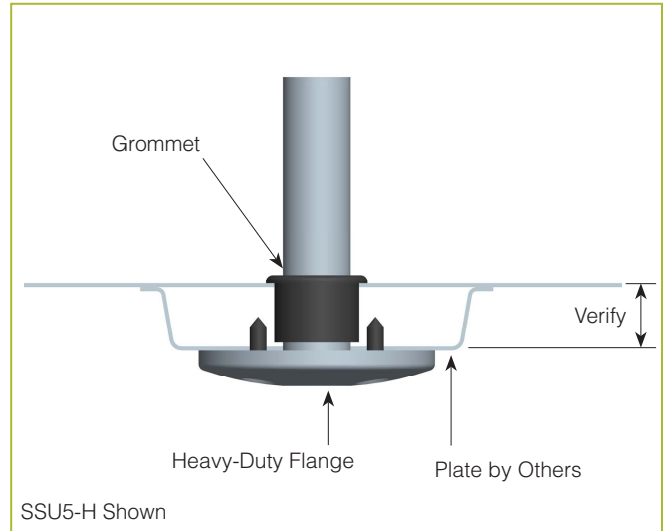


## UNDER-COUNTER INSTALLATION FOR 1" ZGUARD POSTS

**For Stainless Steel Counter**  
 (requires under-counter reinforcement and access)  
**SSU3: Heavy-Duty Flange (-H) or Narrow Flange (-N)**

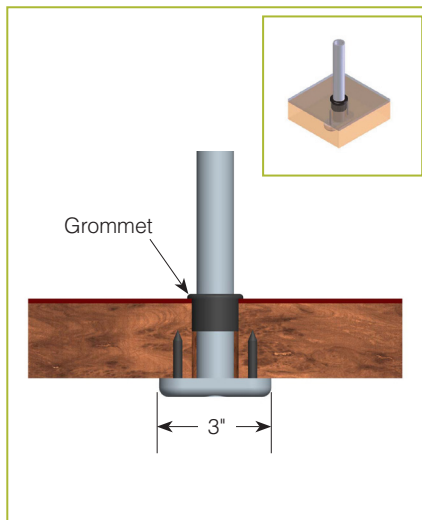


**For Stainless Steel Counter**  
 (requires under-counter reinforcement and access)  
**SSU5: Heavy-Duty Flange (-H) or Narrow Flange (-N)**

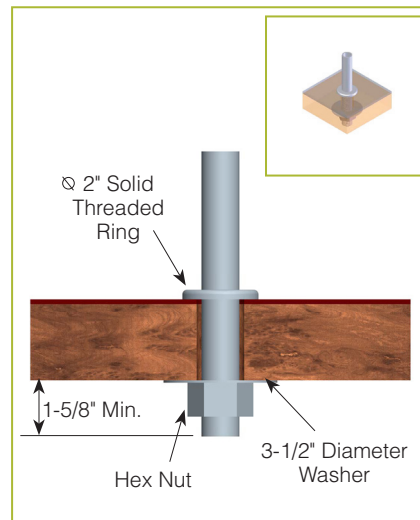


**Verify Counter Thickness or Under-Counter Installation Depth in Inches**

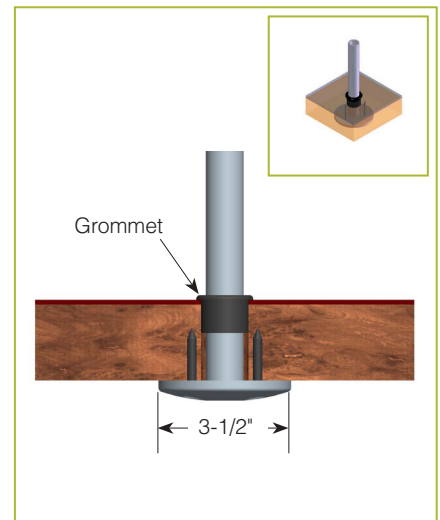
**For Millwork Counter**  
**MWU3: Narrow Flange**



**For Millwork Counter**  
**MWU4: Compression Installation**  
 (not recommended for solid surfaces)



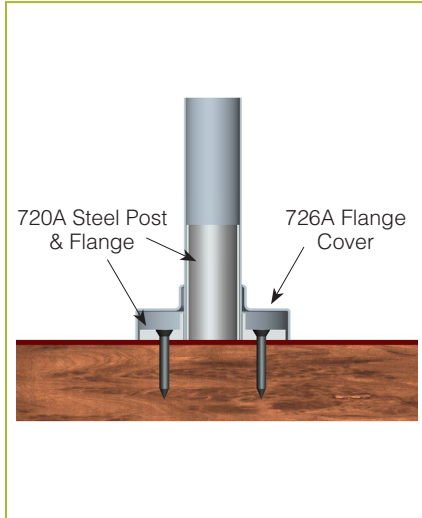
**For Millwork Counter**  
**MWU5: Heavy-Duty Flange**



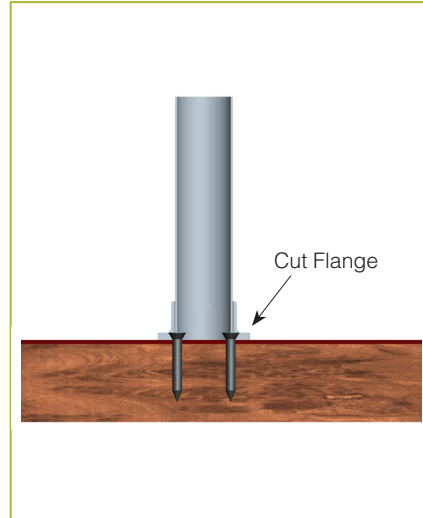
**Verify Counter Thickness or Under-Counter Installation Depth in Inches**

## ABOVE-COUNTER INSTALLATION FOR 1-1/2" ZGUARD POSTS

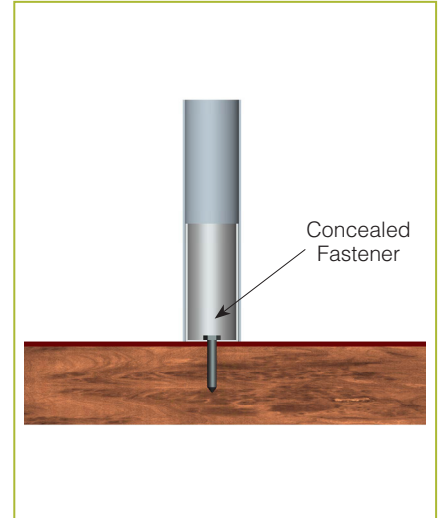
For Millwork Counter  
**Surface Installation 720A/726A:**  
 Steel Post and Flange w/Flange Cover



For Millwork Counter  
**Surface Installation 725A:**  
 Cut Flange

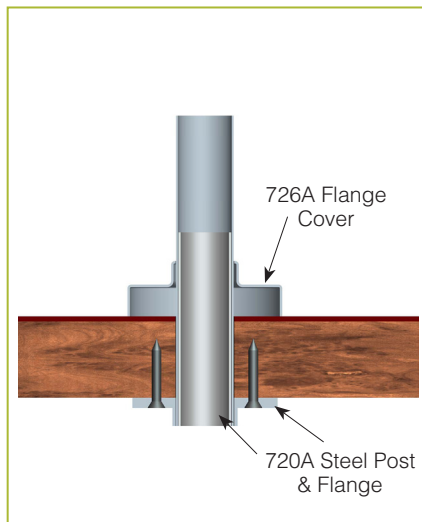


For Millwork Counter  
**Concealed Fastener**  
 (not for cantilever units)

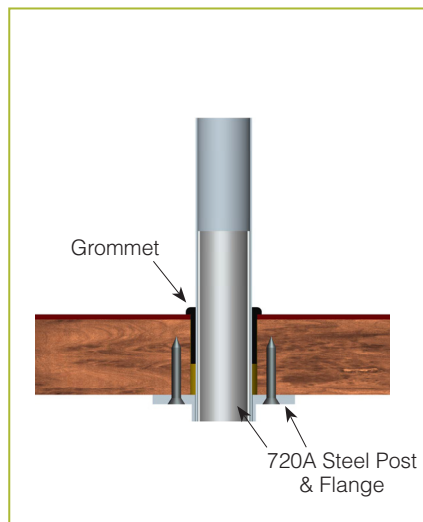


## UNDER-COUNTER INSTALLATION FOR 1-1/2" ZGUARD POSTS (requires under-counter reinforcement and access)

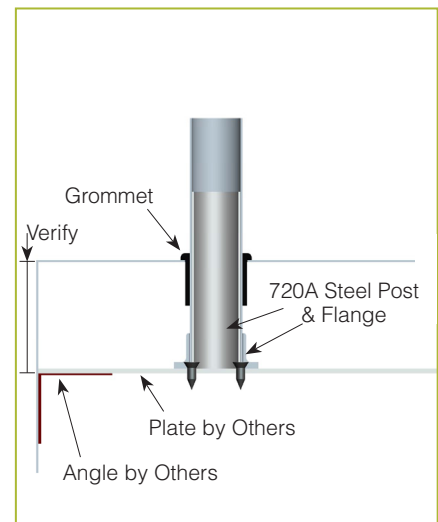
Under-Counter Installation 720A/726A:  
 Steel Post and Flange w/Flange Cover



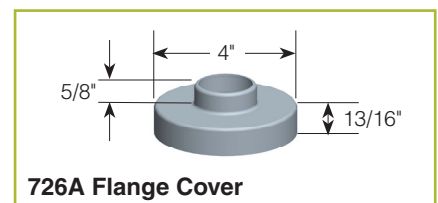
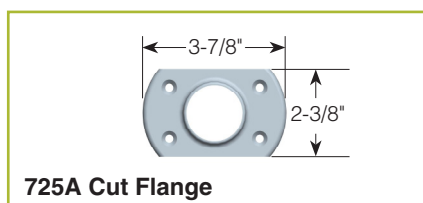
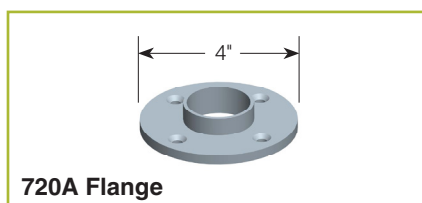
Under-Counter Installation 720A:  
 Steel Post and Flange w/out Flange Cover



Under-Counter Installation 725A:  
 Narrow Custom Flange

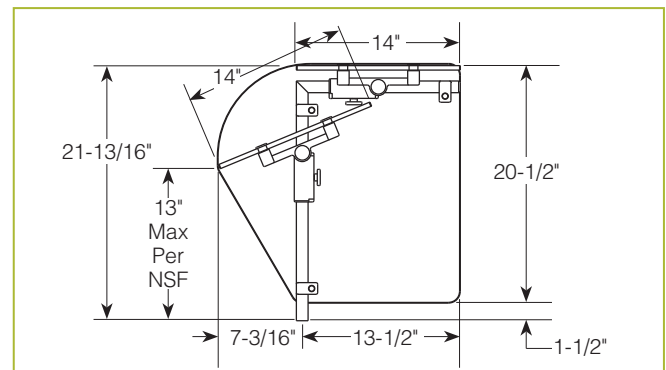
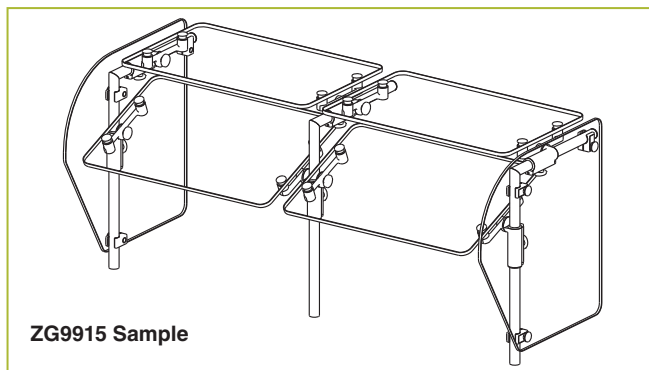
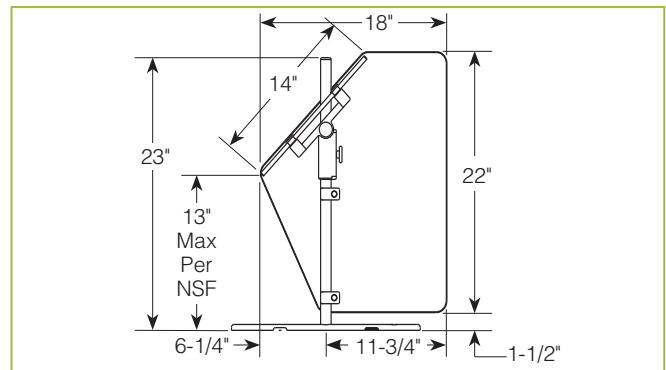
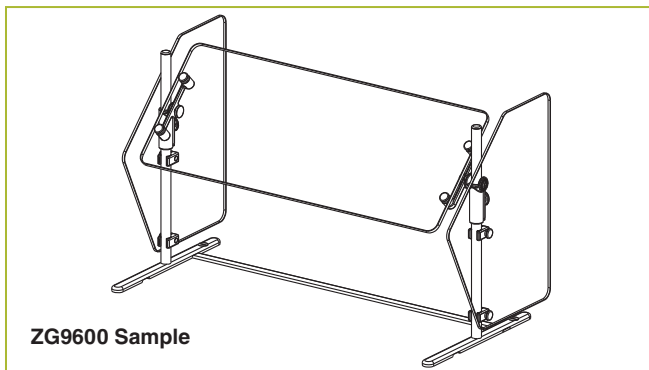
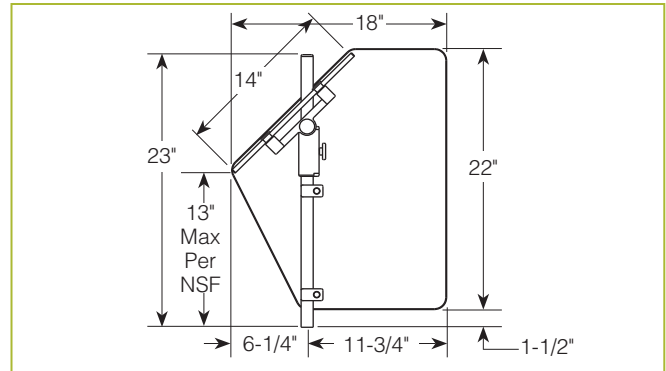
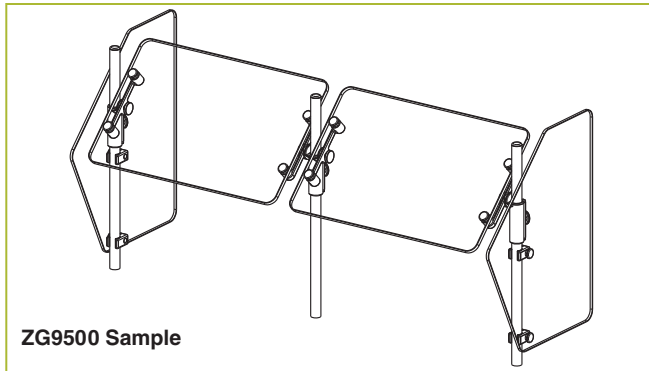


## FLANGE AND FLANGE COVER DIMENSIONS



## END PANELS

To meet NSF guidelines, end panels are included on all BSI quotations unless specifically excluded. The following section shows size and location of glass end panels for select ZGuard models. For end panel information relating to additional models please contact the BSI factory at 1.800.622.9595.



## END PANELS

To meet NSF guidelines, end panels are included on all BSI quotations unless specifically excluded. The following section shows size and location of glass end panels for select ZGuard models. For end panel information relating to additional models please contact the BSI factory at 1.800.622.9595.

